

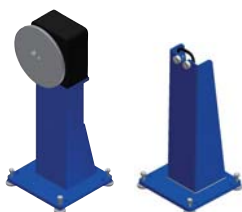
- Rigid design
- Supplementary tailstocks
- Heavy duty

This is a one station positioner for workpieces requiring rotation about one axis.

To support long workpieces it is advisable to use a supplementary tailstock. The free standing tailstocks can be mounted directly on the floor at an appropriate distance from the positioner.



SPB



SPE, SPF, SPH

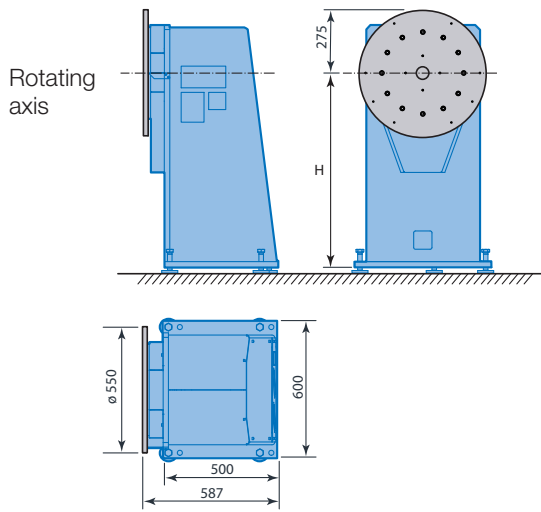
**Available accessories**

- Fixture brackets
- Tailstocks

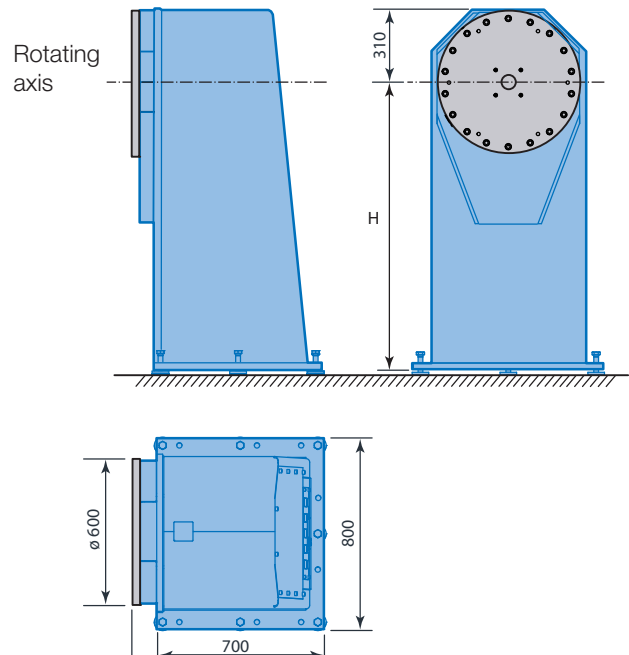
Technical data		HSB-1000 SD2	HSB-2000 SD2	HSB-5000 SD
Maximum payload	kg	1000	2000	5000
Welding capacity, 100 % duty cycle	A	350	2x 350	2x 350
Welding capacity, 60 % duty cycle	A	460	2x 460	2x 460
Maximum fixture's width, radius = H	mm	970, 1200, 1500 <sup>1)</sup>	970, 1200, 1500	970, 1200, 1500
<i>Rotating axis</i>				
Torque, dynamic	Nm	2600	3818	6315
Torque, static	Nm	2080	3054	5052
Rated offset from COG	mm	212	155	103
Rated speed	rpm	0-5.3	0-3.6	0-3.4
Maximum speed	rpm	15	9.6	9.1
Tailstock, free standing		SPB, SPE, SPF, SPH	SPB-2000	SPB-2000, -7000

<sup>1)</sup> Also available: 650 and 850 mm

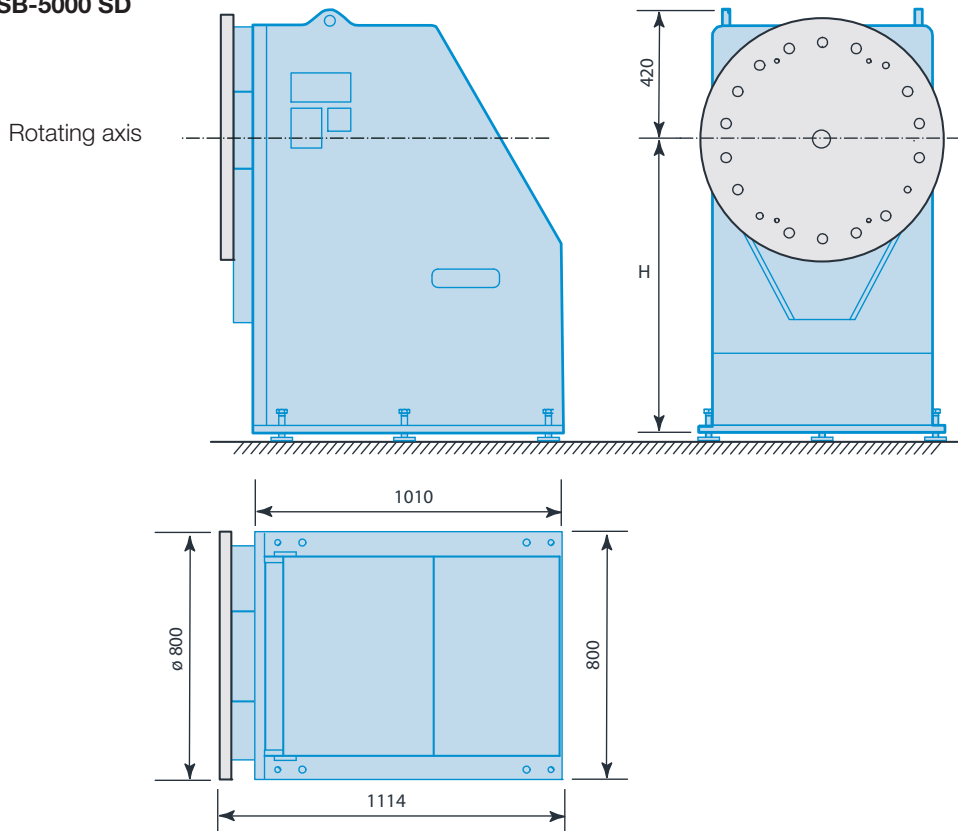
## HSB-1000 SD2



## HSB-2000 SD2



## HSB-5000 SD



Technical data may be subject to change without previous notice  
 © YASKAWA Nordic AB · Reg No. 1012EN-02 · 2012-03