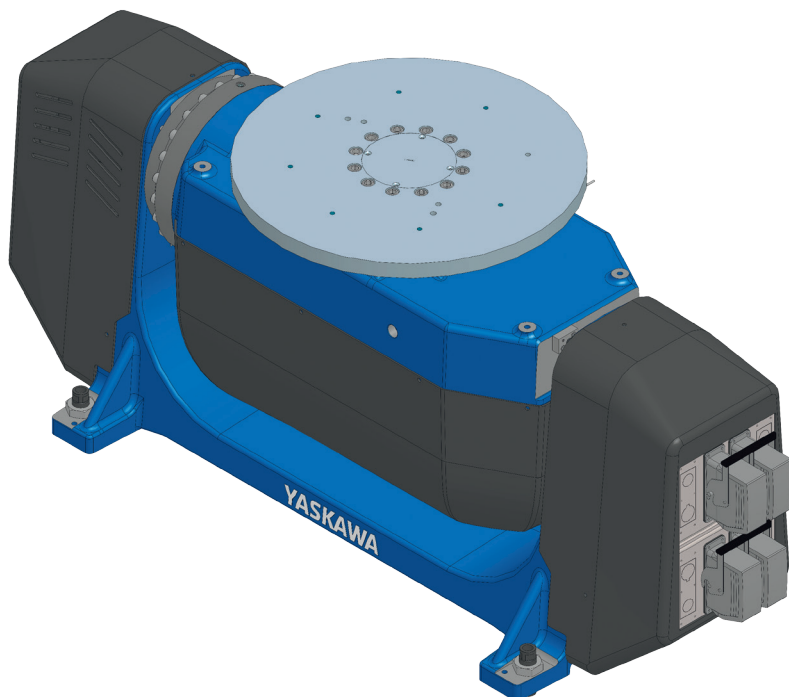


TR-1000

1-station Compact Positioner



The TR-1000 is a positioner that provides one tilting and one rotational axis. Despite the compact design, it is one of the most powerful positioners among YASKAWA portfolio.

The compact design enables the implementation of space saving and flexible system concepts. Due to the low construction, loading height can be adapted to the ergonomic requirements by corresponding sockets.

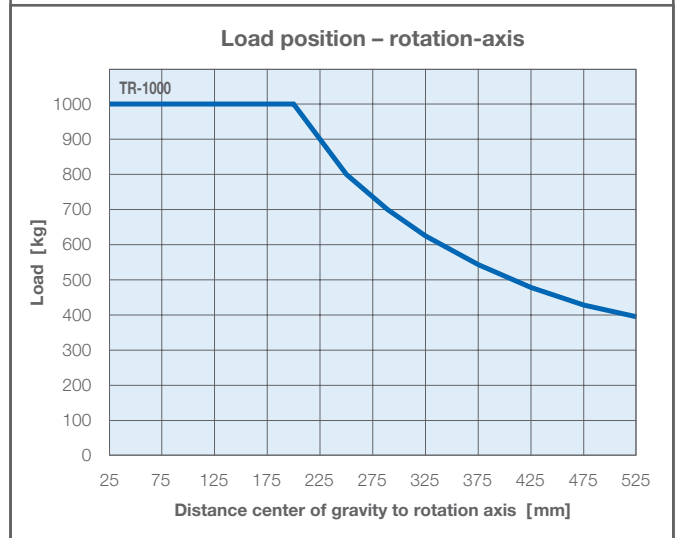
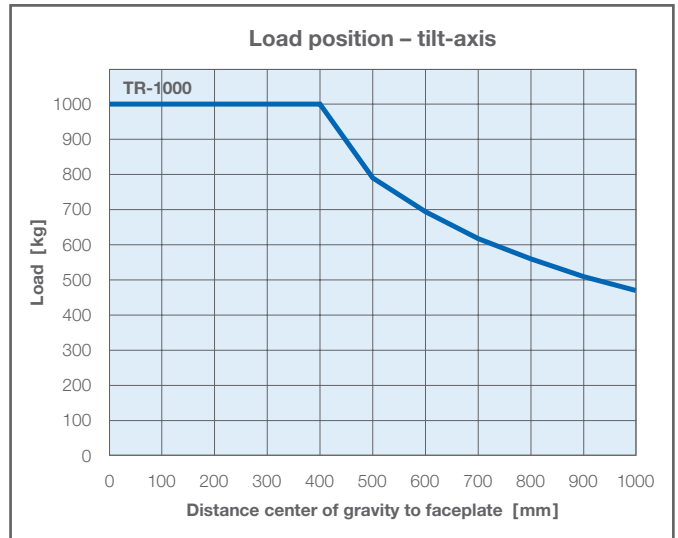
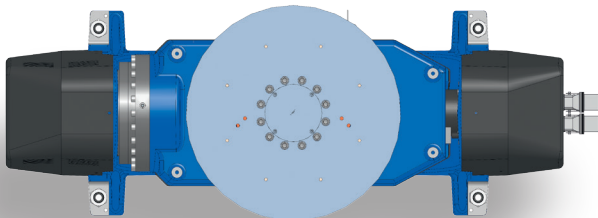
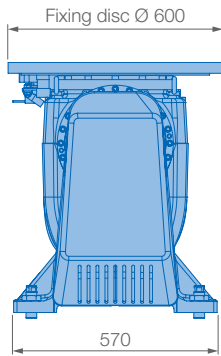
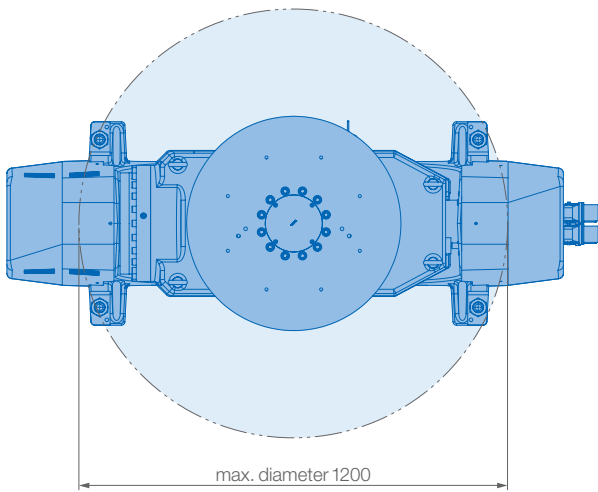
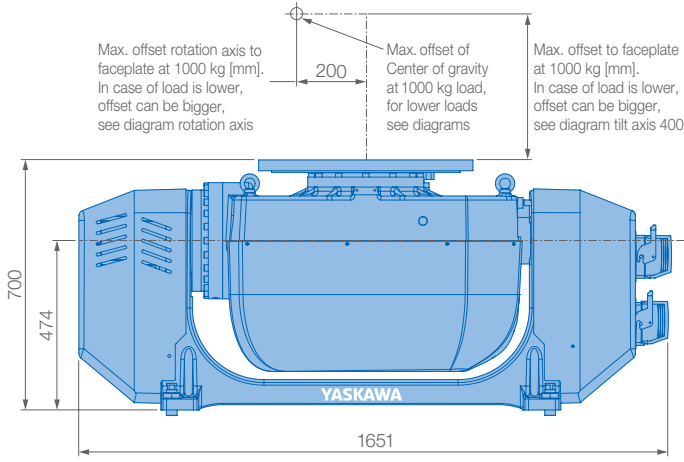
This positioner can handle jigs and work pieces up to a weight of 1000 kg and a maximum diameter of 1200 mm. The center of gravity of the jig can be up to 400 mm above the faceplate. This allows great flexibility in design of the jig.

The hollow shaft drive of the faceplate allows to feed different media through to the jig. Media feed through can be realized as endless turning solution.

For welding applications two connectors for welding current (each max. 360A) are available.

KEY BENEFITS

- Compact, flexible and economic
- High payload: max. 1000 kg
- Large working range: 1200 mm
- Hollow shaft drive for media feed through



Technical data

Rated load [kg]	1000
Diameter of load [mm]	1200*
Max. tilt speed [U/min]	12
Max. rotation speed [U/min]	22.4
Tilt-angle [°]	± 90*
Max. distance COG to faceplate at 1000 kg [mm]	400
Max. distance COG to rotation axis of faceplate at 1000 kg [mm]	200
Rated load inertia tilt-axis [kg · m ²]	517
Rated load inertia rotation-axis [kg · m ²]	645
Rated holding torque tilt-axis [Nm]	7800
Thru-hole rotation-axis [mm]	85
Rated weld current [amps a 100% duty]	2 x 360

* For diameters of load greater than Ø 900 mm and necessary tilt of 90°, use additional socket for the positioner in order to avoid collision of the work piece with a base plate or floor.