

# Cable Retraction

## System for Teach Pendants



The automatic YASKAWA cable retraction system has been specially developed for the connecting cables of industrial robot teach pendants. This system is used to improve work safety in the production area and is a recognized accident prevention measure.

The stable housing is made of impactresistant plastic, while the mounting bracket is made of steel plate, enabling alignment of the retraction system housing in the direction in which the cable is pulled out.

The cable deflection pulley is fitted with a spring element for cable retraction. Additionally, a releasable cable locking element is integrated at intervals of 50 cm so that the cable can be blocked if required when being pulled out or retracted.

Special connecting cables with high-strength polyurethane sheaths are used; these are highly flexible, flame-retardant and resistant to abrasion, oil and coolant. By being rolled up correctly, the cable is kept clean and damage is prevented.

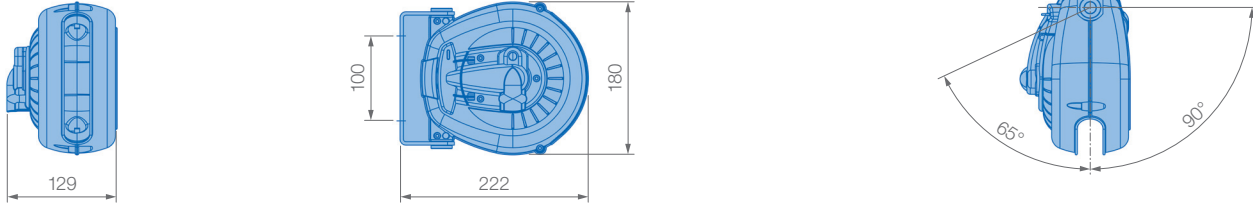
### KEY BENEFITS

- Recognized as an accident prevention measure in manufacturing industry (in accordance with the occupational health and safety management system OHSAS 18001:2007, e.g. for the prevention of tripping hazards)
- Stable housing made of impactresistant plastic
- Cable deflection pulley with spring element enabling cable retraction
- Integrated slip ring system
- Releasable automatic cable locking element every 50 cm for blocking the cable when it is pulled out or retracted
- Stable mounting bracket of steel plate enables alignment of the retraction system housing in the direction in which the cable is pulled out
- Use of flexible, flame-retardant and resistant connecting cable
- Protection against dirt and damage to the cable by rolling it up correctly

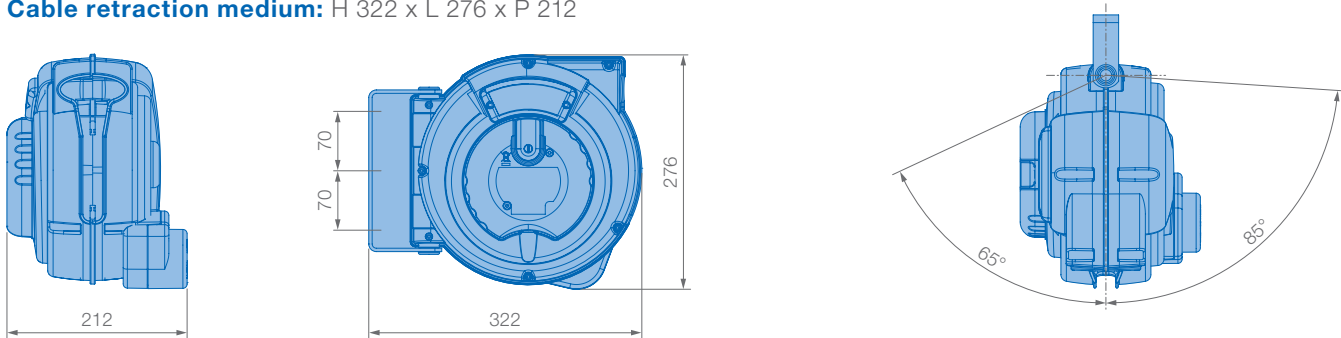
After the teach pendant has been used, orderly and safe storage of the connecting cable is automatically assured. Damage to the cable and a potential tripping hazard due to incorrect storage of the cable are thereby avoided.



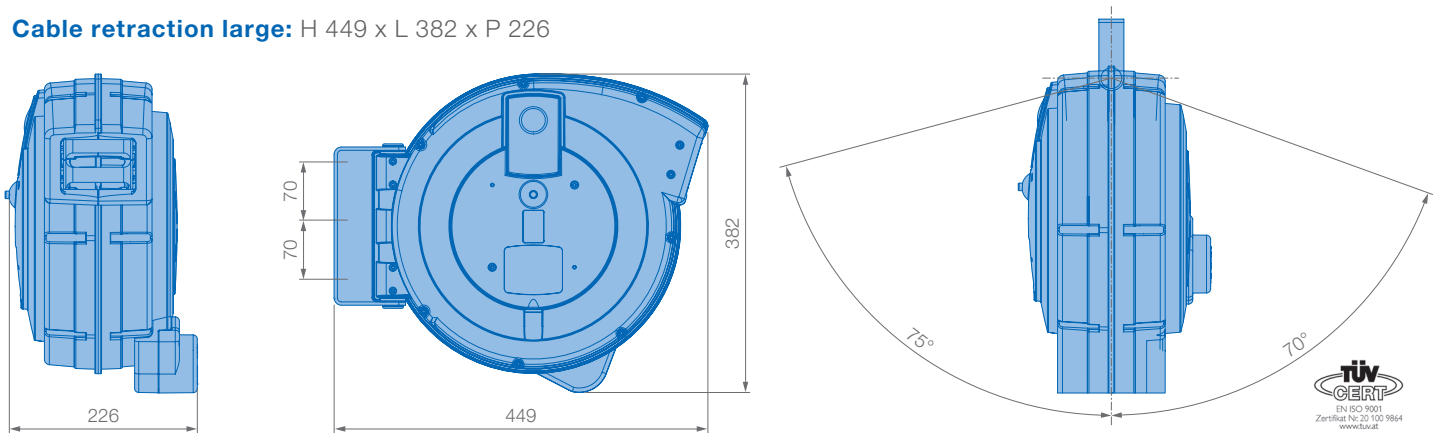
## Cable retraction mini: H 222 x L 180 x P 129



## Cable retraction medium: H 322 x L 276 x P 212



## Cable retraction large: H 449 x L 382 x P 226



Article nr.	Designation
200168	Cable retraction mini 2,5/5 m for YRC1000, YRC1000micro Standard
200169	Cable retraction mini 2,5/5 m for YRC1000, YRC1000micro SmartPendant
190847	Cable retraction M, 2.5/10 m for NX100, DX100, DX200
190882	Cable retraction M, 2.5/10 m for YRC1000
190848	Cable retraction L, 2.5/20 m for NX100, DX100, DX200
190883	Cable retraction L, 2.5/20 m for YRC1000

### Approval and quality features

#### TÜV-inspected quality and functions in accordance with

- ISO EN 13849-1 e2 (Risk assessment acc. Performance Level "e")
- IEC EN 60204-1 (Safety of machinery)
- UNI EN ISO 10218-1 (Risk assessment and safety requirements for industrial robots)

#### Integrated slip ring system

- Protection classification IP54
- ISO 9001 certified manufacturing; CE and RoHS compliant

### Optional accessories

Available in 2 cable lengths: 10 and 20 metres

## YASKAWA Europe GmbH

Robotics Division  
Yaskawastraße 1  
85391 Allershausen  
Germany

Tel. +49 (0) 8166 90-0  
robotics@yaskawa.eu.com  
www.yaskawa.eu.com

YASKAWA Cable Retraction  
D-11-2019, A-No. 166338