

# System SLIO

**FM | 050-1BB30 | Manual**

HB300 | FM | 050-1BB30 | en | 25-05

Counter module eco 2x32Bit - FM 050



YASKAWA Europe GmbH  
Philipp-Reis-Str. 6  
65795 Hattersheim  
Germany  
Tel.: +49 6196 569-300  
Fax: +49 6196 569-398  
Email: [info@yaskawa.eu](mailto:info@yaskawa.eu)  
Internet: [www.yaskawa.eu.com](http://www.yaskawa.eu.com)

## Table of contents

<b>1</b>	<b>General</b> .....	<b>4</b>
1.1	About this manual .....	4
1.2	Copyright © YASKAWA Europe GmbH .....	5
1.3	Safety instructions .....	6
<b>2</b>	<b>Basics and mounting</b> .....	<b>9</b>
2.1	Safety notes for the user .....	9
2.2	System conception .....	10
2.2.1	Overview .....	10
2.2.2	Components .....	11
2.2.3	Accessories .....	14
2.2.4	Hardware revision .....	16
2.3	Dimensions .....	16
2.4	Mounting 8x periphery modules .....	19
2.5	Mounting 16x periphery modules .....	22
2.6	Wiring 8x periphery modules .....	25
2.7	Wiring 16x periphery modules .....	26
2.8	Wiring power modules .....	27
2.9	Shielding .....	31
2.10	Demounting 8x periphery modules .....	33
2.11	Demounting 16x periphery modules .....	35
2.12	Easy Maintenance .....	38
2.13	Trouble shooting - LEDs .....	39
2.14	Industrial security and installation guidelines .....	40
2.14.1	Industrial security in information technology .....	40
2.14.2	Installation guidelines .....	42
2.15	General data for the System SLIO .....	45
2.15.1	Use in difficult operating conditions .....	46
<b>3</b>	<b>Hardware description</b> .....	<b>47</b>
3.1	Properties .....	47
3.2	Structure .....	47
3.3	Technical data .....	50
<b>4</b>	<b>Deployment</b> .....	<b>53</b>
4.1	Fast introduction .....	53
4.2	In-/Output area .....	55
4.2.1	Input area 12byte .....	55
4.2.2	Output area 4byte .....	56
4.3	Parameter data .....	57
4.4	Counter functions .....	58
4.5	Diagnostic data .....	60

About this manual

# 1 General

## 1.1 About this manual

### Objective and contents

This manual describes the FM 050-1BB30 of the System SLIO.

- It describes the structure, configuration and application.
- The manual is targeted at users with good basic knowledge in automation technology.
- The manual does not replace sufficient basic knowledge of automation technology or sufficient familiarity with the specific product.
- The manual consists of chapters. Each chapter describes a completed topic.
- For guidance, the manual provides:
  - An overall table of contents at the beginning of the manual
  - References with pages numbers

### Validity of the documentation

Product	Order no.	as of version:
FM 050	050-1BB30	HW: 01

### Documentation

In the context of the use of the pertinent Yaskawa product, the manual is to be made accessible to the pertinent qualified personnel in:

- Project engineering
- Installation department
- Commissioning
- Operation

### Icons and headings

Important passages in the text are highlighted by following icons and headings:



#### DANGER

- Immediate danger to life and limb of personnel and others.
- Non-compliance will cause death or serious injury.



#### CAUTION

- Hazardous situation to life and limb of personnel and others. Non-compliance may cause slight injuries.
- This symbol is also used as warning of damages to property.



#### NOTICE

- Designates a possibly harmful situation.
- Non-compliance can damage the product or something in its environment.



*Supplementary information and useful tips.*

## 1.2 Copyright © YASKAWA Europe GmbH

### All rights reserved

This document contains protected information of Yaskawa and may not be disclosed or used outside of an agreement made in advance with Yaskawa and only in accordance with that agreement.

This document is protected by copyright laws. Reproduction, distribution, or modification of this document or excerpts thereof is not permitted without the written consent of Yaskawa and the owner of this document, except in accordance with applicable agreements, contracts or licenses.

For permission to reproduce or distribute, please contact: YASKAWA Europe GmbH, European Headquarters, Philipp-Reis-Str. 6, 65795 Hattersheim, Germany

Tel.: +49 6196 569 300

Fax.: +49 6196 569 398

E-mail: [info@yaskawa.eu](mailto:info@yaskawa.eu)

Internet: [www.yaskawa.eu.com](http://www.yaskawa.eu.com)

### Download Center

By entering the product order number in the '*Download Center*' at [www.yaskawa.eu.com](http://www.yaskawa.eu.com), the pertinent manuals, data sheets, declarations of conformity, certificates and other helpful information for your product can be found.

### Trademarks

SLIO and SPEED7 are registered trademarks of YASKAWA Europe GmbH.

All other trademarks, logos and service or product marks specified herein are owned by their respective companies.

### General terms of use

Every effort was made by Yaskawa to ensure that the information contained in this document was complete and correct at the time of publication. Nevertheless, the information contained therein is only owed by Yaskawa as it is available at Yaskawa. Correctness is not assured by Yaskawa, the right to change the information contained herein is always reserved by Yaskawa. There is no obligation to inform the customer of any changes. The customer is requested to actively keep this documentation up to date. The use of the products covered by these instructions, together with the associated documentation, is always at the customer's own risk, in accordance with the applicable guidelines and standards. This documentation describes the hardware and software components and functions of the product. It is possible that units are described which the customer does not have. The exact scope of delivery is described in the respective purchase contract.

### Document support

Contact your local representative of YASKAWA Europe GmbH if you have errors or questions regarding the content of this document. You can reach YASKAWA Europe GmbH via the following contact:

Email: [Documentation.HER@yaskawa.eu](mailto:Documentation.HER@yaskawa.eu)

### Technical support

Contact your local representative of YASKAWA Europe GmbH if you encounter problems or have questions regarding the product. If such a location is not available, you can reach the Yaskawa customer service via the following contact:

YASKAWA Europe GmbH,

European Headquarters, Philipp-Reis-Str. 6, 65795 Hattersheim, Germany

Tel.: +49 6196 569 500 (hotline)

Email: [support@yaskawa.eu](mailto:support@yaskawa.eu)

## 1.3 Safety instructions

### General safety instructions



#### **DANGER**

##### **Danger to life due to non-compliance with safety instructions**

Non-compliance with the safety instructions in the manual can result in serious injury or death. The manufacturer is not responsible for any injuries or damage to the equipment.



#### **CAUTION**

##### **Before commissioning and operating the components described in this manual, it is essential to note the following:**

- Modifications to the automation system must only be done in a voltage-free state!
- Connection and modification only by trained electricians
- National regulations and guidelines in the respective country of use must be observed and complied with (installation, protective measures, EMC, etc.)

**Intended use**

- It is the customer's responsibility to comply with all pertinent standards, codes, or regulations applicable to the use of the product, including those that apply when the Yaskawa product is used in combination with other products.
- The customer must confirm that the Yaskawa product is suitable for the customer's plant, machinery and equipment.
- If the Yaskawa product is used in a manner not specified by this manual, the protection provided by the Yaskawa product may be impaired and the use may result in material or immaterial damage.
- Contact Yaskawa to determine whether use is permitted in the following applications. If the use in the respective application is permissible, the Yaskawa product is to be used by considering additional risk assessments and specifications, and safety measures are to be provided to minimise the dangers in the event of a fault. Special caution is required and protective measures must be taken in the case of:
  - Outdoor use, use with possible chemical contamination or electrical interference, or use under conditions or in environments which are not described in product catalogs or manuals
  - Nuclear control systems, combustion systems, railway systems, aviation systems, automotive systems, medical devices, amusement machines and equipment that is specifically regulated by industry or government
  - Systems, machines and devices that can pose a risk to life or property
  - Systems that require a high degree of reliability, such as gas, water or electricity supply systems or systems that operate 24 hours a day
  - Other systems that require a similarly high level of security
- Never use the Yaskawa product in an application where failure of the product could cause serious danger to life, limb, health or property without first ensuring that the system is designed to provide the required level of safety with risk warnings and redundancy to avoid the realisation of such dangers and that the Yaskawa product is properly designed and installed.
- The connection examples and other application examples described in the product catalogs and manuals of Yaskawa are for reference purposes. Check the functionality and safety of the devices and systems actually to be used before using the Yaskawa product.
- To avoid accidental harm to third parties, read and understand all prohibitions on use and precautions, and operate the Yaskawa product correctly.

**Field of application**

- The Yaskawa product is not suited for use in life-support machines or systems.
- Please contact your Yaskawa representative or Yaskawa distributor if considering the use of the Yaskawa product for special purposes, such as machines or systems used in passenger cars, in medical, aircraft and aerospace applications, for power supply of networks, for electrical power distribution or for underwater applications.

**DANGER**

The device is not permitted for use

- in explosive environments (EX zone)

The system is designed and manufactured for proper use and use in accordance with the user manual and is designed for:

- Communication and process control
- general control and automation tasks
- for industrial use
- operation within the environmental conditions specified in the technical data
- installation in a cabinet

**DANGER**

**If this Yaskawa product is used in applications where failure of the device can result in the loss of human life, a serious accident or physical injury, you must install appropriate safety devices.**

- Death or serious injury can result if you do not install the safety devices properly.

**Disclaimer**

(1) The contractual and legal liability of Yaskawa and the legal representatives and vicarious agents of Yaskawa for compensation and reimbursement of expenses in relation to the content of this documentation is excluded or limited as follows:

a) For slightly negligent breaches of *Essential Contractual Duties* arising from the contractual obligation, for Yaskawa the amount of liability is limited to the foreseeable damage typical for the contract. '*Essential Contractual Duties*' are those duties that characterise the performance of the contract and on which the Yaskawa customer may reasonably rely.

(b) In each case, Yaskawa is not liable for (i) the slightly negligent breach of duties arising from the duties that are not *Essential Contractual Duties*, as well as (ii) force majeure, i.e. external events that have no operational connection and cannot be averted even by exercising the utmost care that can reasonably be expected.

(2) The aforementioned limitation of liability does not apply (i) in cases of mandatory statutory liability (in particular under the product liability law), (ii) if and to the extent that Yaskawa has assumed a guarantee or same as guaranteed procurement risk according to § 276 BGB, (iii) for culpably caused injuries to life, limb and/or health, also by representatives or vicarious agents, as well as (iv) in case of delay in the event of a fixed completion date.

(3) A reversal of the burden of proof is not associated with the provisions above.

**Disposal**

**National rules and regulations apply to the disposal of the unit!**



## 2 Basics and mounting

### 2.1 Safety notes for the user



#### DANGER

##### Protection against dangerous voltages

- When using System SLIO modules, the user must be protected from touching hazardous voltage.
- You must therefore create an insulation concept for your system that includes safe separation of the potential areas of extra-low voltage (ELV) and hazardous voltage.
- Here, observe the insulation voltages between the potential areas specified for the System SLIO modules and take suitable measures, such as using PELV/SELV power supplies for System SLIO modules.

#### Handling of electrostatic sensitive modules

The modules are equipped with highly integrated components in MOS technology. These components are highly sensitive to over-voltages that occur, e.g. with electrostatic discharge. The following symbol is used to identify these hazardous modules:



The symbol is located on modules, module racks or on packaging and thus indicates electrostatic sensitive modules. Electrostatic sensitive modules can be destroyed by energies and voltages that are far below the limits of human perception. If a person who is not electrically discharged handles electrostatic sensitive modules, voltages can occur and damage components and thus impair the functionality of the modules or render the modules unusable. Modules damaged in this way are in most cases not immediately recognized as faulty. The error can only appear after a long period of operation. Components damaged by static discharge can show temporary faults when exposed to temperature changes, vibrations or load changes. Only the consistent use of protective devices and responsible observance of the handling rules can effectively prevent malfunctions and failures on electrostatic sensitive modules.

#### Shipping of modules

Please always use the original packaging for shipping.

#### Measurement and modification of electrostatic sensitive modules

For measurements on electrostatic sensitive modules the following must be observed:

- Floating measuring instruments must be discharged before use.
- Measuring instruments used must be grounded.

When modifying electrostatic sensitive modules, ensure that a grounded soldering iron is used.



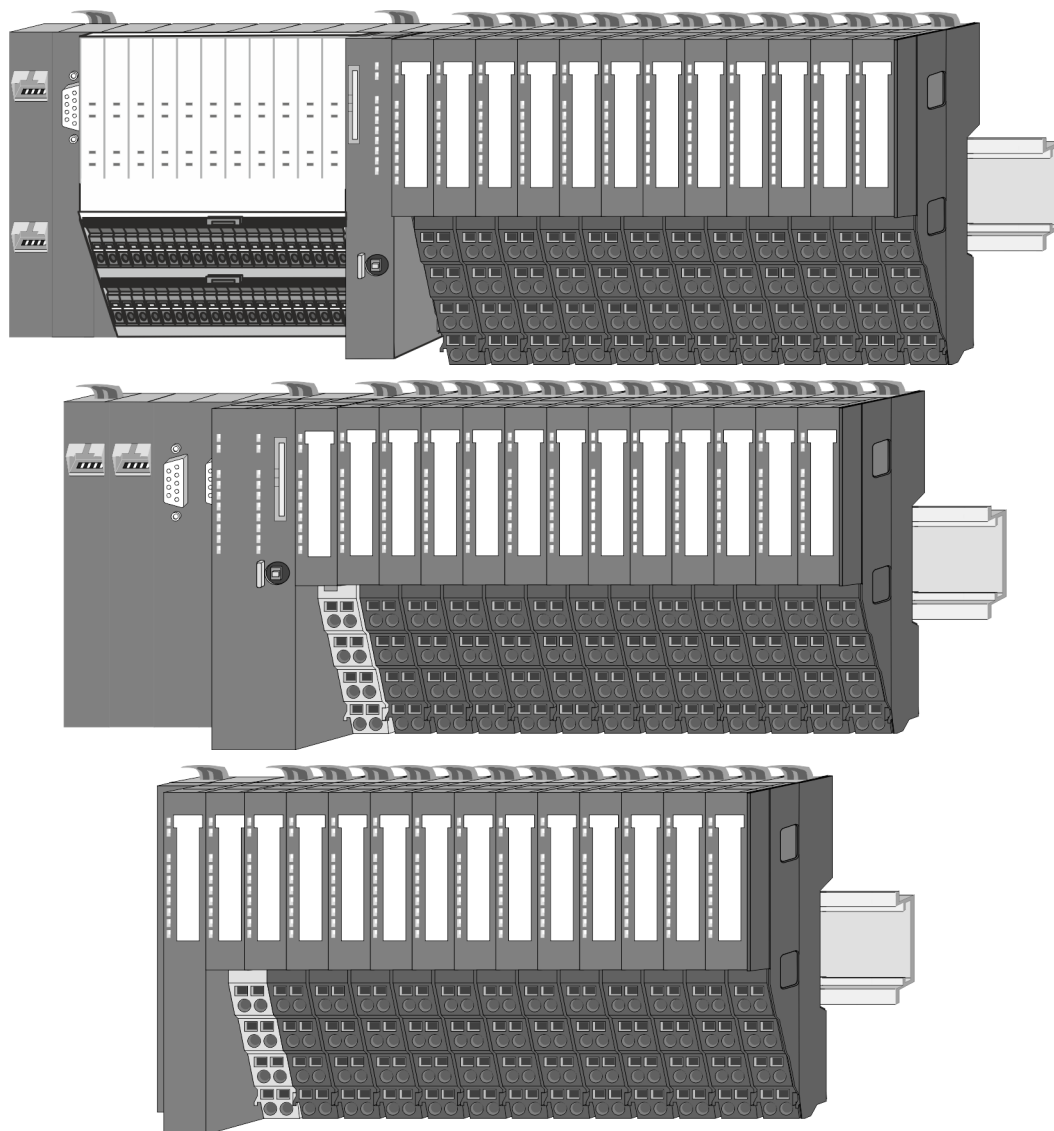
#### CAUTION

When working with and on electrostatic sensitive modules, make sure that personnel and equipment are adequately grounded.

## 2.2 System conception

### 2.2.1 Overview

The System SLIO is a modular automation system for assembly on a 35mm mounting rail. By means of the periphery modules with 2, 4, 8 and 16 channels this system may properly be adapted matching to your automation tasks. The wiring complexity is low, because the supply of the DC 24V power section supply is integrated to the backplane bus and defective modules may be replaced with standing wiring. By deployment of the power modules in contrasting colors within the system, further isolated areas may be defined for the DC 24V power section supply, respectively the electronic power supply may be extended with 2A.



## 2.2.2 Components

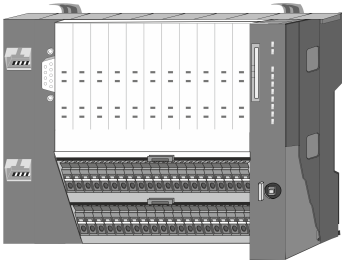
- CPU (head module)
- Bus coupler (head module)
- Line extension
- 8x periphery modules
- 16x periphery modules
- Power modules
- Accessories



### CAUTION

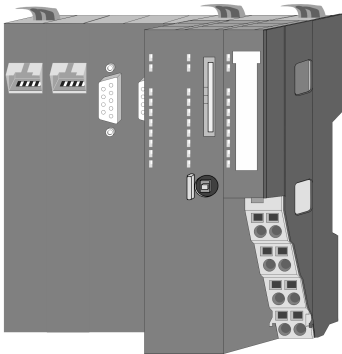
Only Yaskawa modules may be combined. A mixed operation with third-party modules is not allowed!

### CPU 01xC



With the CPU 01xC electronic, input/output components and power supply are integrated to one casing. In addition, up to 64 periphery modules of the System SLIO can be connected to the backplane bus. As head module via the integrated power module for power supply CPU electronic and the I/O components are supplied as well as the electronic of the periphery modules, which are connected via backplane bus. To connect the power supply of the I/O components and for DC 24V power section supply of via backplane bus connected periphery modules, the CPU has removable connectors. By installing of up to 64 periphery modules at the backplane bus, these are electrically connected, this means these are assigned to the backplane bus, the electronic modules are power supplied and each periphery module is connected to the DC 24V power section supply.

### CPU 01x



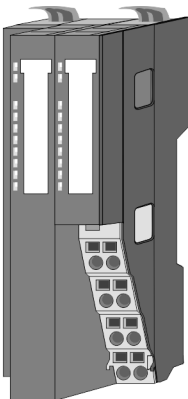
With this CPU 01x, CPU electronic and power supply are integrated to one casing. As head module, via the integrated power module for power supply, CPU electronic and the electronic of the connected periphery modules are supplied. The DC 24V power section supply for the linked periphery modules is established via a further connection of the power module. By installing of up to 64 periphery modules at the backplane bus, these are electrically connected, this means these are assigned to the backplane bus, the electronic modules are power supplied and each periphery module is connected to the DC 24V power section supply.



### CAUTION

CPU part and power module may not be separated!  
Here you may only exchange the electronic module!

### Bus coupler



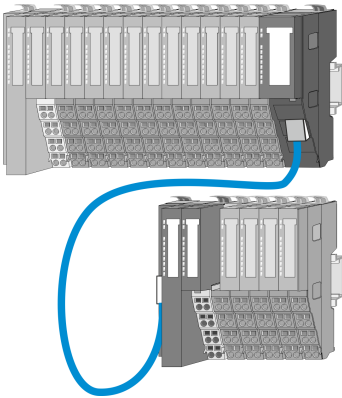
With a bus coupler bus interface and power module is integrated to one casing. With the bus interface you get access to a subordinated bus system. As head module, via the integrated power module for power supply, bus interface and the electronic of the connected periphery modules are supplied. The DC 24V power section supply for the linked periphery modules is established via a further connection of the power module. By installing of up to 64 periphery modules at the bus coupler, these are electrically connected, this means these are assigned to the backplane bus, the electronic modules are power supplied and each periphery module is connected to the DC 24V power section supply.



### CAUTION

Bus interface and power module may not be separated!  
Here you may only exchange the electronic module!

**Line extension**

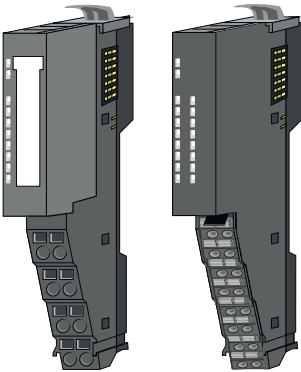


In the System SLIO there is the possibility to place up to 64 modules in on line. By means of the line extension you can divide this line into several lines. Here you have to place a line extension MainDevice at each end of a line and the subsequent line has to start with a line extension SubDevice. MainDevice and SubDevice are to be connected via a special connecting cable. In this way, you can divide a line on up to 5 lines. Depending on the line extension, the max. number of pluggable modules at the System SLIO bus is decreased accordingly. To use the line extension no special configuration is required.



*Please note that some modules do not support line extensions due to the system. For more information, please refer to the compatibility list. This can be found in the 'Download Center' of [www.yaskawa.eu.com](http://www.yaskawa.eu.com) under 'System SLIO Compatibility list'.*

**Periphery modules**

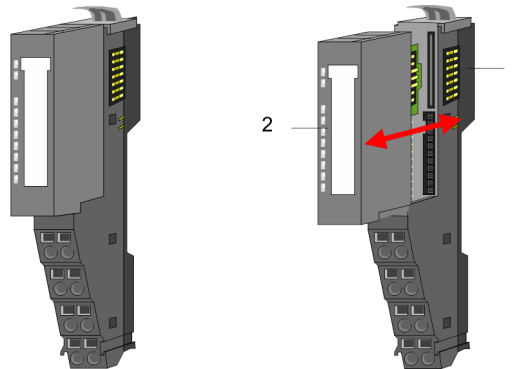


The periphery modules are available in the following 2 versions, whereby of each the electronic part can be replaced with standing wiring:

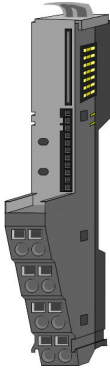
- 8x periphery module for a maximum of 8 channels.
- 16x periphery module for a maximum of 16 channels.

**8x periphery modules**

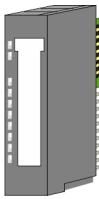
Each 8x periphery module consists of a *terminal* and an *electronic module*.



- 1 Terminal module
- 2 Electronic module

**Terminal module**

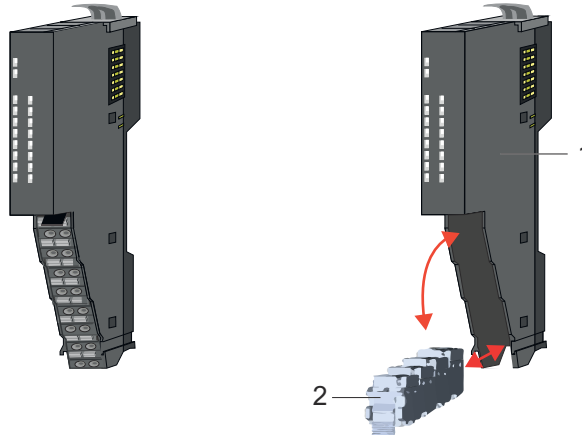
The *terminal* module serves to carry the electronic module, contains the backplane bus with power supply for the electronic, the DC 24V power section supply and the staircase-shaped terminal for wiring. Additionally the terminal module has a locking system for fixing at a mounting rail. By means of this locking system your system may be assembled outside of your switchgear cabinet to be later mounted there as whole system.

**Electronic module**

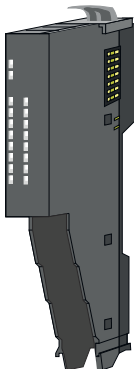
The functionality of a periphery module is defined by the *electronic module*, which is mounted to the terminal module by a sliding mechanism. With an error the defective electronic module may be exchanged for a functional module with standing installation. At the front side there are LEDs for status indication. For simple wiring each module shows corresponding connection information at the front and at the side.

**16x periphery modules**

Each 16x periphery module consists of an *electronic unit* and a *terminal block*.



- 1 Electronic unit
- 2 Terminal block

**Electronic unit**

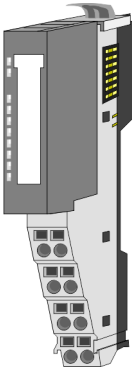
With the 16x periphery module the terminal block is connected to the *electronic unit* via a secure flap mechanism. In the case of an error you can exchange the defective electronic unit for a functional unit with standing wiring. At the front side there are LEDs for status indication. For easy wiring each electronic unit shows corresponding connection information at the side. The electronic unit provides the slot for the terminal block for the wiring and contains the backplane bus with power supply for the electronic and the connection to the DC 24V power section supply. Additionally the electronic unit has a locking system for fixing it at a mounting rail. By means of this locking system your system may be assembled outside of your switchgear cabinet to be later mounted there as whole system.

**Terminal block**



The *terminal block* provides the electrical interface for the signalling and supplies lines of the module. When mounting the terminal block, it is attached to the bottom of the electronic unit and turned towards the electronic unit until it clicks into place. With the wiring a "push-in" spring-clip technique is used. This allows a quick and easy connection of your signal and supply lines. The clamping off takes place by means of a screwdriver.

**Power module**



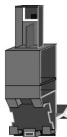
In the System SLIO the power supply is established by power modules. These are either integrated to the head module or may be installed between the periphery modules. Depending on the power module isolated areas of the DC 24V power section supply may be defined respectively the electronic power supply may be extended with 2A. For better recognition the colour of the power modules are contrasting to the periphery modules.

2.2.3 Accessories

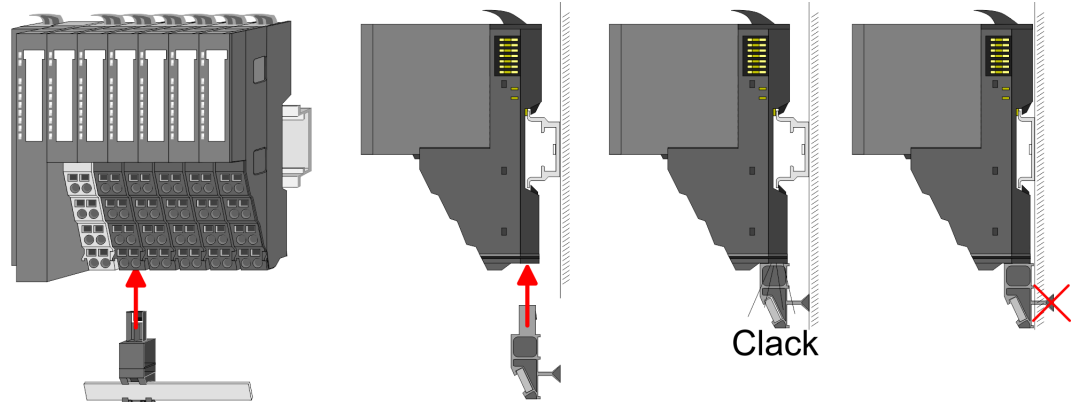
**Shield bus carrier**



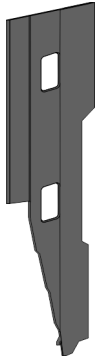
*Please note that a shield bus carrier cannot be mounted on a 16x periphery module!*



The shield bus carrier (order no.: 000-0AB00) serves to carry the shield bus (10mm x 3mm) to connect cable shields. Shield bus carriers, shield bus and shield fixings are not in the scope of delivery. They are only available as accessories. The shield bus carrier is mounted underneath the terminal of the terminal module. With a flat mounting rail for adaptation to a flat mounting rail you may remove the spacer of the shield bus carrier.



**Bus cover**



With each head module, to protect the backplane bus connectors, there is a mounted bus cover in the scope of delivery. You have to remove the bus cover of the head module before mounting a System SLIO module. For the protection of the backplane bus connector you always have to mount the bus cover at the last module of your system again. The bus cover has the order no. 000-0AA00.

**Coding pins**





*Please note that a coding pin cannot be installed on a 16x periphery module! Here you have to make sure that the associated terminal block is plugged again when the electronics unit is replaced.*

There is the possibility to fix the assignment of electronic and terminal module. Here coding pins (order number 000-0AC00) can be used. The coding pin consists of a coding jack and a coding plug. By combining electronic and terminal module with coding pin, the coding jack remains in the electronic module and the coding plug in the terminal module. This ensures that after replacing the electronic module just another electronic module can be plugged with the same encoding.

**Spare parts**

The following spare parts are available for the System SLIO:

Spare part	Order no.	Description	Packaging unit
	092-9BH00	Terminal block for System SLIO 16x periphery module.	5 pieces
	092-9BK00	Connector for System SLIO CPU 013C.	5 pieces



**CAUTION**

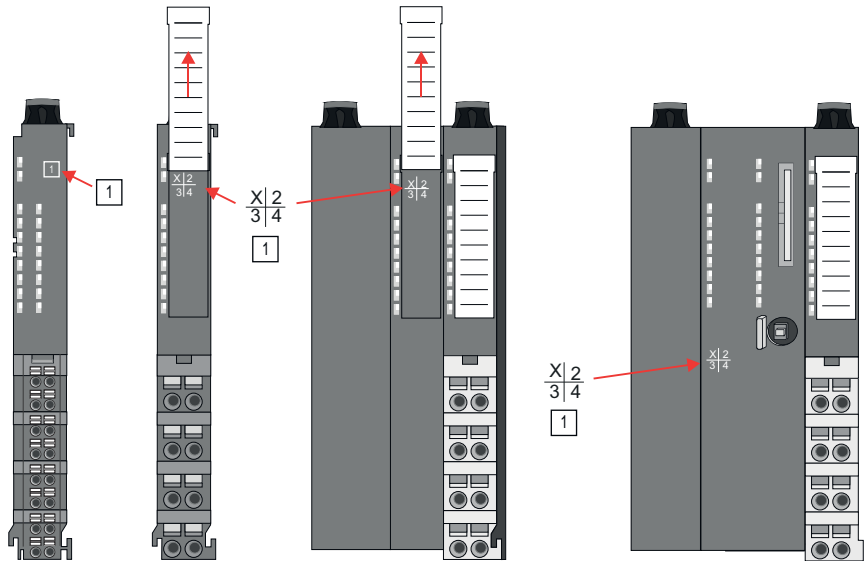
Please note that you may only use the spare parts with Yaskawa modules. Use with third-party modules is not allowed!

Dimensions

2.2.4 Hardware revision

Hardware revision on the front

- The hardware revision is printed on every System SLIO module.
- Since a System SLIO 8x peripheral module consists of a terminal and electronic module, you will find a hardware revision printed on each of them.
- Authoritative for the hardware revision of a System SLIO module is the hardware revision of the electronic module. This is located under the labeling strip of the corresponding electronic module.
- Depending on the module type, there are the following 2 variants e.g. to indicate hardware revision 1:
  - With current labelling there is a 1 on the front.
  - With earlier labelling, the 1 is marked with 'X' on a number grid.



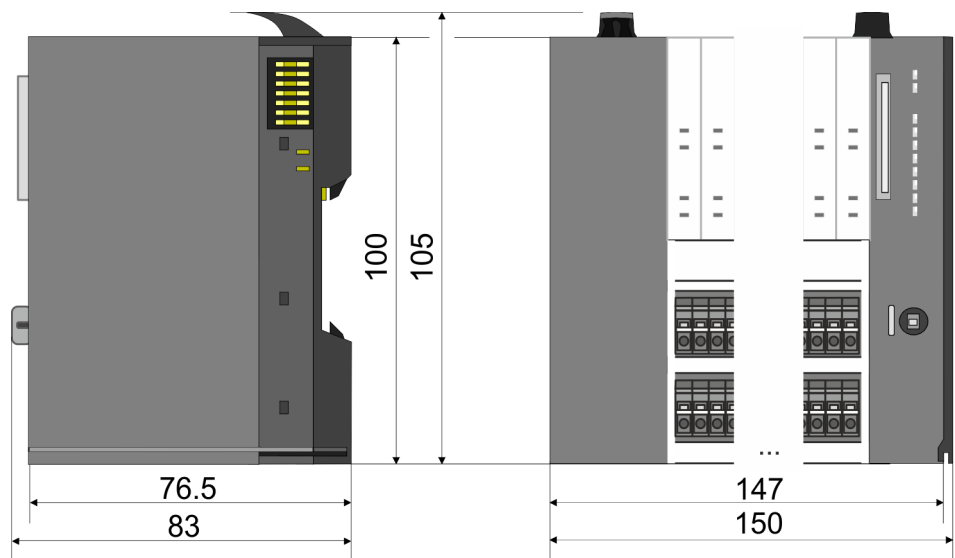
Hardware revision via web server

On the CPUs and some bus couplers, you can check the hardware revision 'HW Revision' via the integrated web server.

2.3 Dimensions

CPU 01xC

All dimensions are in mm.

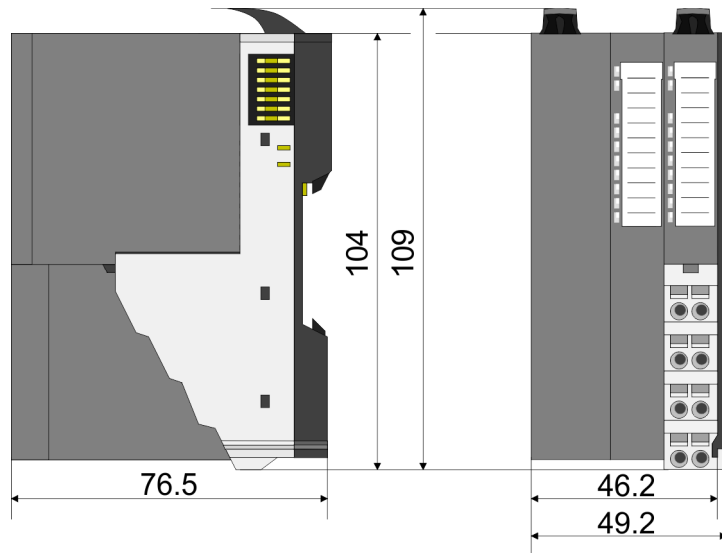




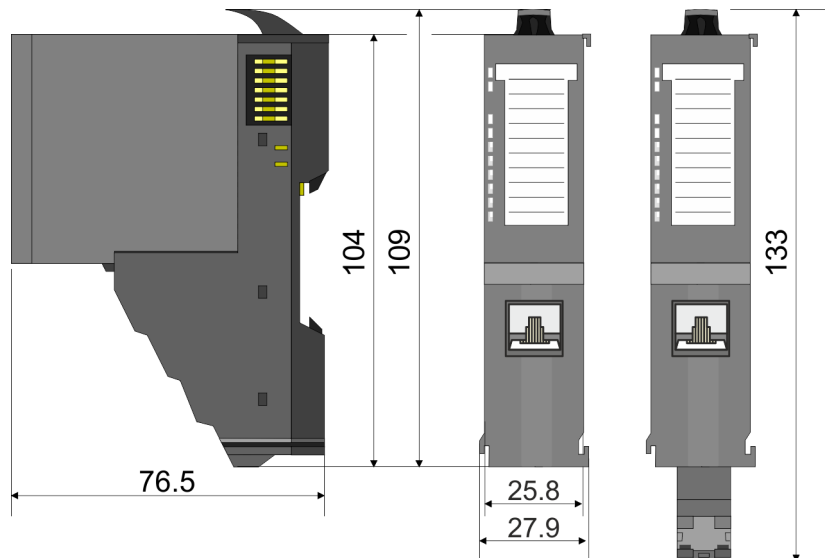
CPU 01x



Bus coupler and line extension SubDevice

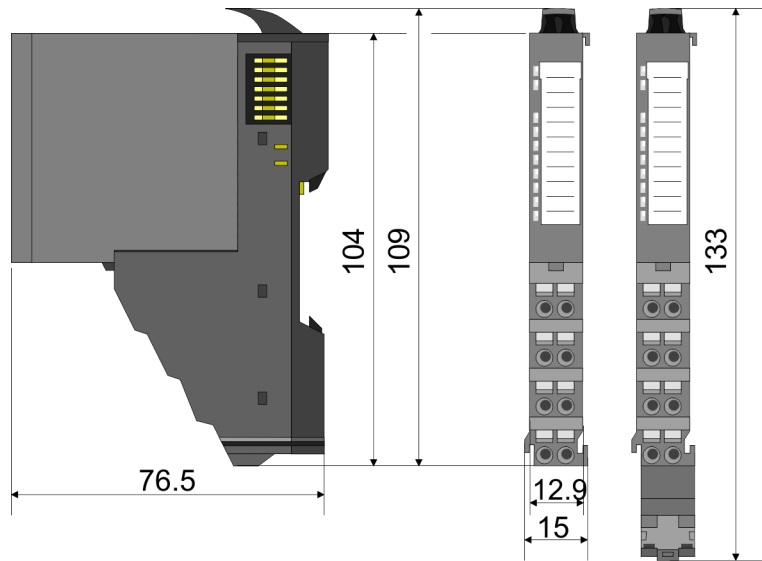


Line extension MainDevice

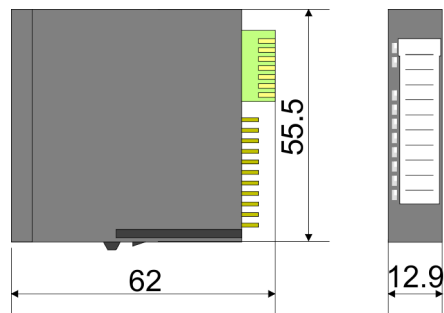


Dimensions

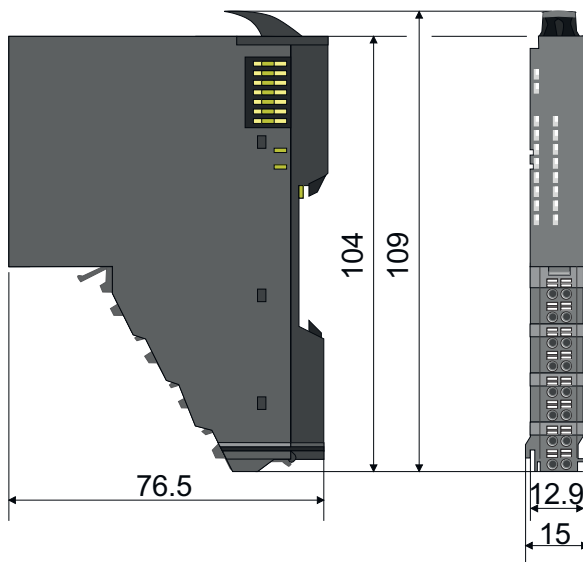
8x periphery module



Electronic module



16x periphery module



## 2.4 Mounting 8x periphery modules



### CAUTION

#### Requirements for UL compliance use

- Use for power supply exclusively SELV/PELV power supplies.
- The System SLIO must be installed and operated in a housing according to IEC 61010-1 9.3.2 c).

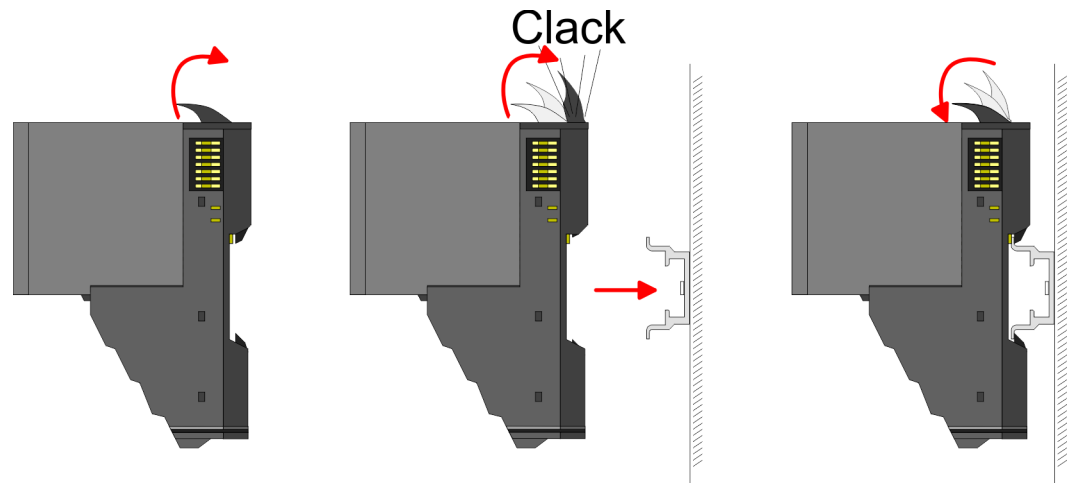


### CAUTION

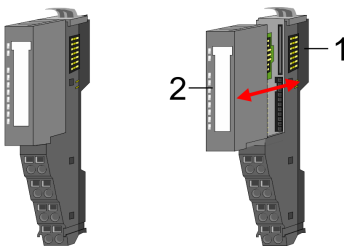
#### Danger of injury from electrical shock and damage to the unit!

Put the System SLIO in a safe, powered down state before starting installation, disassembly or wiring of the System SLIO modules!

There is a locking lever at the top side of the module. For mounting and demounting this locking lever is to be turned upwards until this engages. For mounting place the module to the module installed before and push the module to the mounting rail guided by the strips at the upper and lower side of the module. The module is fixed to the mounting rail by pushing downward the locking lever. The modules may either separately be mounted to the mounting rail or as block. Here is to be considered that each locking lever is opened. The modules are each installed on a mounting rail. The electronic and power section supply are connected via the backplane bus. Up to 64 modules may be mounted. Please consider here that the sum current of the electronic power supply does not exceed the maximum value of 3A. By means of the power module 007-1AB10 the current of the electronic power supply may be expanded accordingly.



### Terminal and electronic module

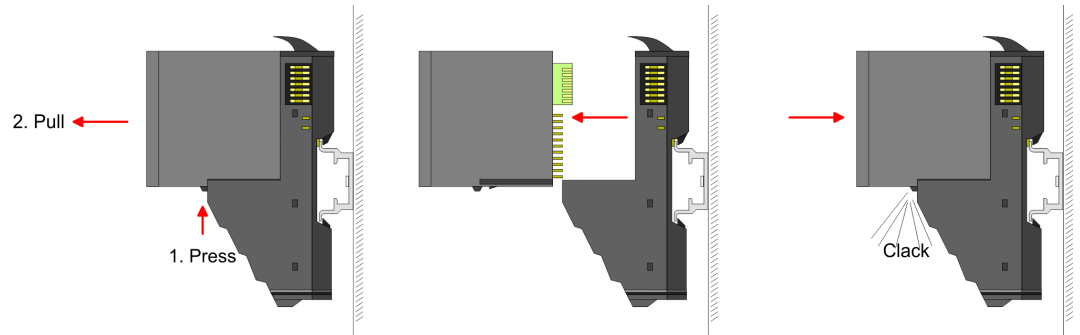


Each periphery module consists of a *terminal* and an *electronic module*.

- 1 Terminal module
- 2 Electronic module

For the exchange of a electronic module, the electronic module may be pulled forward after pressing the unlocking lever at the lower side of the module. For installation plug the electronic module guided by the strips at the lower side until this engages audible to the terminal module.

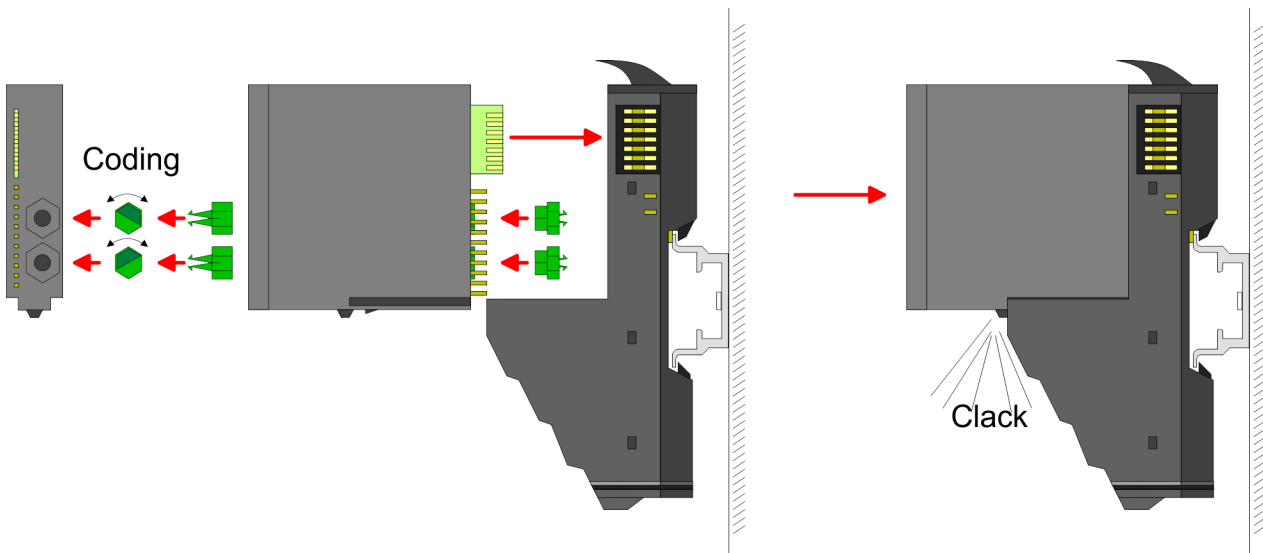
Mounting 8x periphery modules



Coding



There is the possibility to fix the assignment of electronic and terminal module. Here coding pins (order number 000-0AC00) can be used. The coding pin consists of a coding jack and a coding plug. By combining electronic and terminal module with coding pin, the coding jack remains in the electronic module and the coding plug in the terminal module. This ensures that after replacing the electronics module just another electronic module can be plugged with the same encoding.



Each electronic module has on its back 2 coding sockets for coding jacks. Due to the characteristics, with the coding jack 6 different positions can be plugged, each. Thus there are 36 possible combinations for coding with the use of both coding sockets.

1. Plug, according to your coding, 2 coding jacks in the coding sockets of your electronic module until they lock
2. Now plug the according coding plugs into the coding jacks.
3. To fix the coding put both the electronic and terminal module together until they lock

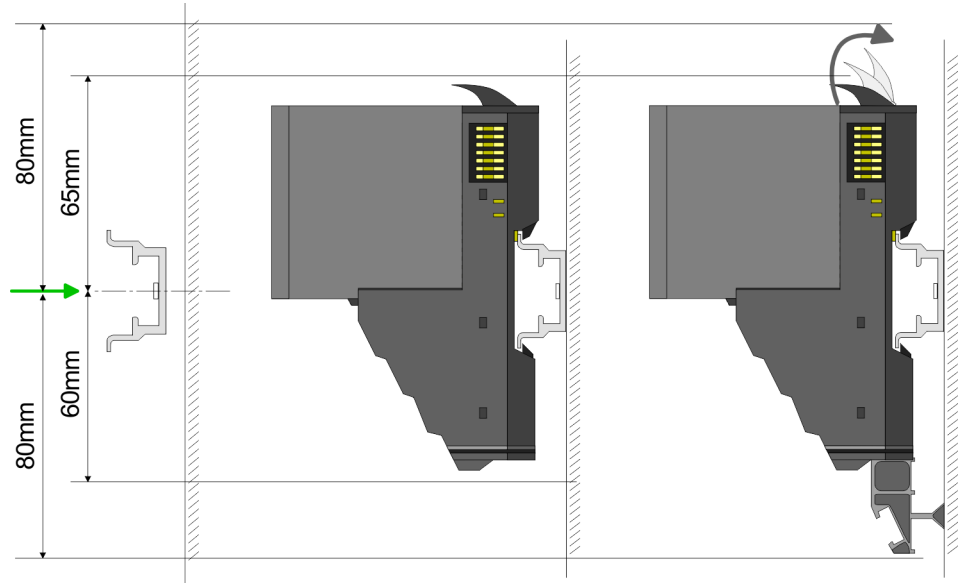


**CAUTION**

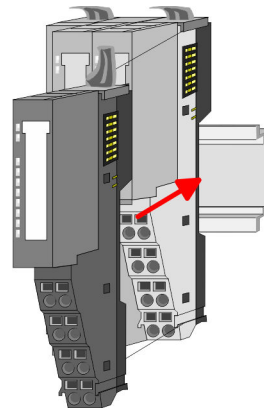
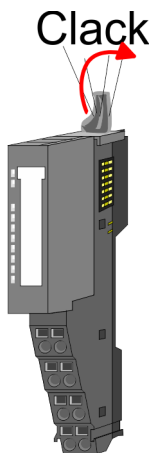
Please consider that when replacing an already coded electronic module, this is always be replaced by an electronic module with the same coding.

Even with an existing coding on the terminal module, you can plug an electronic module without coding. The user is responsible for the correct usage of the coding pins. Yaskawa assumes no liability for incorrectly attached electronic modules or for damages which arise due to incorrect coding!

## Mounting periphery modules

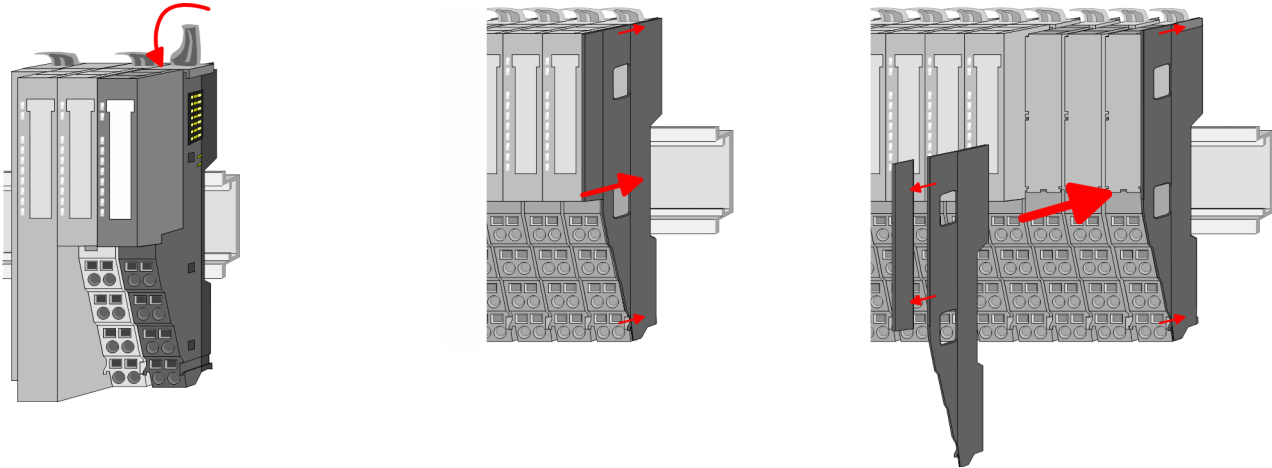


1. ➤ Mount the mounting rail! Please consider that a clearance from the middle of the mounting rail of at least 80mm above and 60mm below, respectively 80mm by deployment of shield bus carriers, exist.
2. ➤ Mount your head module such as CPU or field bus coupler.
3. ➤ Before mounting the periphery modules you have to remove the bus cover at the right side of the head module by pulling it forward. Keep the cover for later mounting.



4. ➤ For mounting turn the locking lever of the module upwards until it engages.
5. ➤ For mounting place the module to the module installed before and push the module to the mounting rail guided by the strips at the upper and lower side of the module.
6. ➤ Turn the locking lever of the periphery module downward, again.

## Mounting 16x periphery modules



7. → After mounting the whole system, to protect the backplane bus connectors at the last module you have to mount the bus cover, now. If the last module is a clamp module, for adaptation the upper part of the bus cover is to be removed.

## 2.5 Mounting 16x periphery modules



### CAUTION

#### Requirements for UL compliance use

- Use for power supply exclusively SELV/PELV power supplies.
- The System SLIO must be installed and operated in a housing according to IEC 61010-1 9.3.2 c).

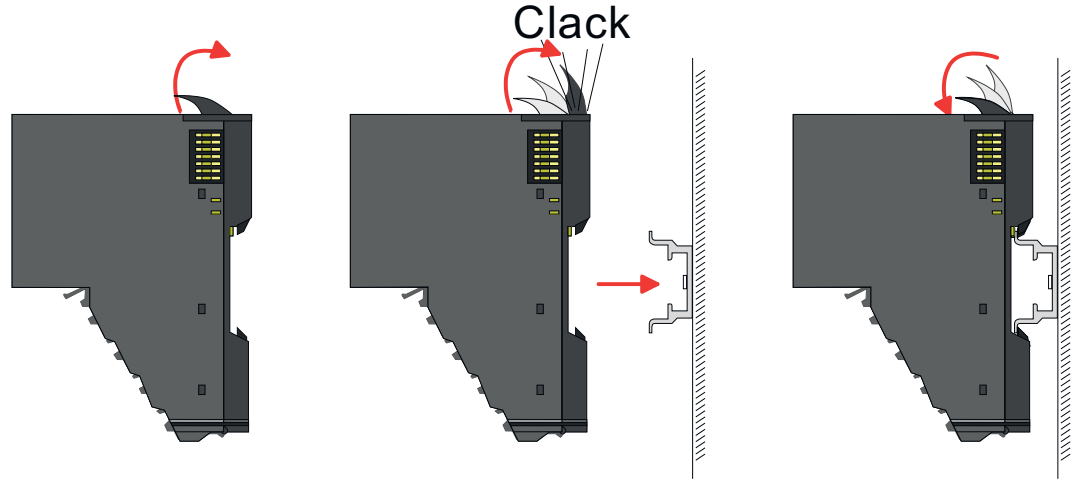


### CAUTION

#### Danger of injury from electrical shock and damage to the unit!

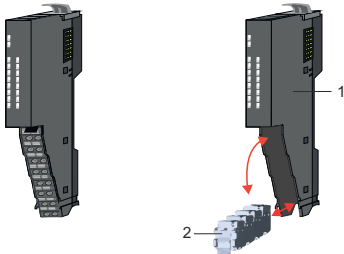
Put the System SLIO in a safe, powered down state before starting installation, disassembly or wiring of the System SLIO modules!

There is a locking lever at the top side of the module. For mounting and demounting this locking lever is to be turned upwards until this engages. For mounting place the module to the module installed before and push the module to the mounting rail guided by the strips at the upper and lower side of the module. The module is fixed to the mounting rail by pushing downward the locking lever. The modules may either separately be mounted to the mounting rail or as block. Here is to be considered that each locking lever is opened. The modules are each installed on a mounting rail. The electronic and power section supply are connected via the backplane bus. Up to 64 modules may be mounted. Please consider here that the sum current of the electronic power supply does not exceed the maximum value of 3A. By means of the power module 007-1AB10 the current of the electronic power supply may be expanded accordingly.



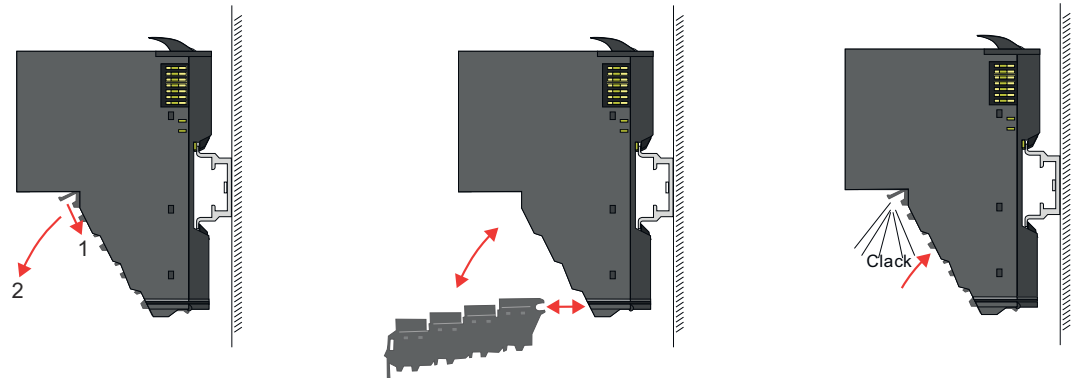
**Electronic unit and terminal block**

Each 16x periphery module consists of an *electronic unit* and a *terminal block*.

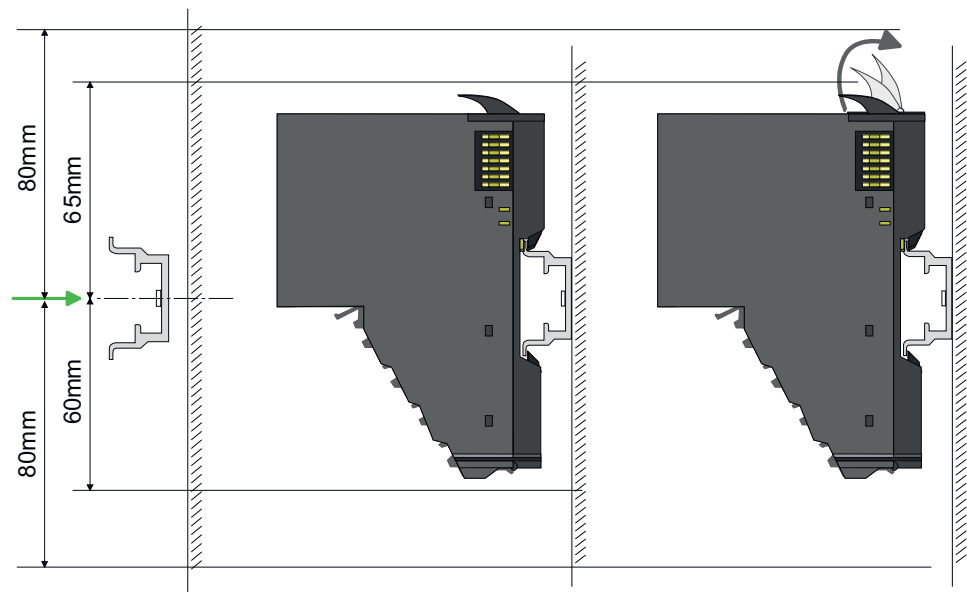


- 1 Electronic unit
- 2 Terminal block

To replace an electronic unit, you can push down and pull off the terminal block after releasing the lock. To mount the terminal block, place it horizontally on the lower side of the electronic unit and push it towards the electronic unit until it clicks into place.

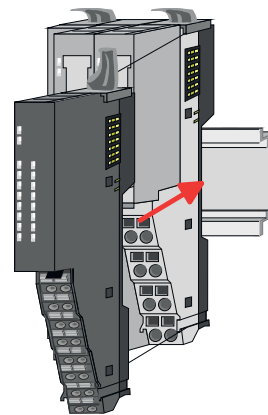
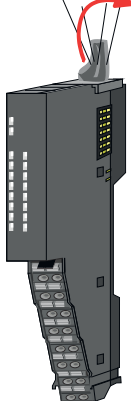


Mounting periphery module

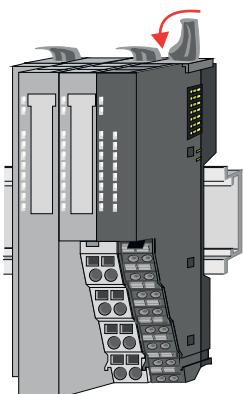


1. ➤ Mount the mounting rail! Please consider that a clearance from the middle of the mounting rail of at least 80mm above and 80mm below exist.
2. ➤ Mount your head module such as CPU or field bus coupler.
3. ➤ Before mounting the periphery modules you have to remove the bus cover at the right side of the head module by pulling it forward. Keep the cover for later mounting.

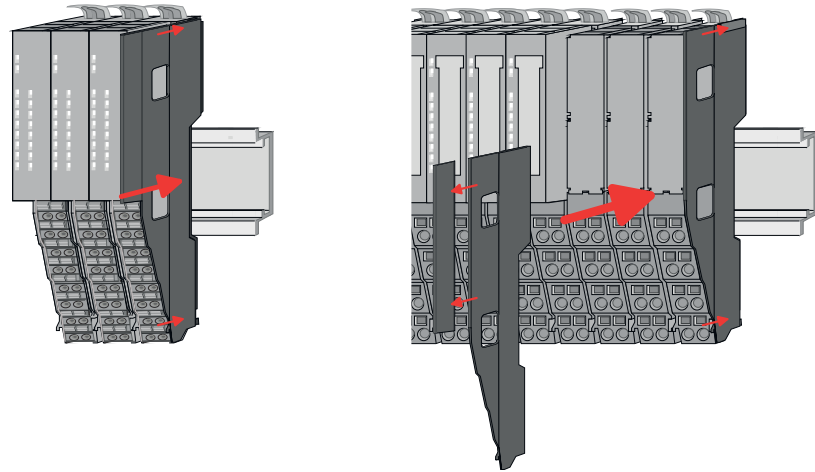
Clack



4. ➤ For mounting turn the locking lever of the module upwards until it engages.
5. ➤ For mounting place the module to the module installed before and push the module to the mounting rail guided by the strips at the upper and lower side of the module.
6. ➤ Turn the locking lever of the periphery module downward, again.







7. → After mounting the whole system, to protect the backplane bus connectors at the last module you have to mount the bus cover, now. If the last module is a clamp module, for adaptation the upper part of the bus cover is to be removed.

## 2.6 Wiring 8x periphery modules

### Terminal module terminals



#### CAUTION

##### Do not connect hazardous voltages!

If this is not explicitly stated in the corresponding module description, hazardous voltages are not allowed to be connected to the corresponding terminal module!



#### CAUTION

##### Danger of injury from electrical shock and damage to the unit!

Put the System SLIO in a safe, powered down state before starting installation, disassembly or wiring of the System SLIO modules!



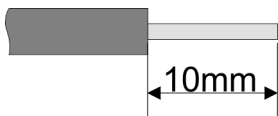
#### CAUTION

##### Consider temperature for external cables!

Cables may experience temperature increase due to system heat dissipation. Thus the cabling specification must be chosen 25°C above ambient temperature!

- With wiring the terminal modules, terminals with spring clamp technology are used for wiring. The spring clamp technology allows quick and easy connection of your signal and supply lines. In contrast to screw terminal connections this type of connection is vibration proof.

### Data

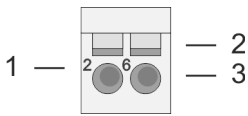


Please use copper wire only!

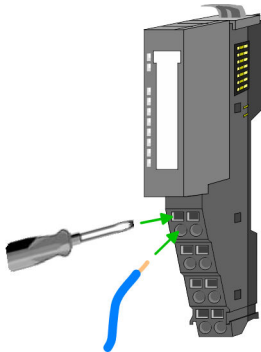
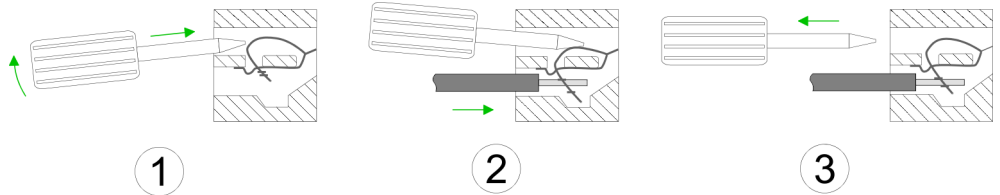
$U_{max}$	240V AC / 30V DC
$I_{max}$	10A
Cross section	0.08 ... 1.5mm <sup>2</sup> (AWG 28 ... 16)
Stripping length	10mm

Wiring 16x periphery modules

Wiring procedure



- 1 Pin number at the connector
- 2 Opening for screwdriver
- 3 Connection hole for wire



1. Insert a suited screwdriver at an angle into the square opening as shown. Press and hold the screwdriver in the opposite direction to open the contact spring.
2. Insert the stripped end of wire into the round opening. You can use wires with a cross section of 0.08mm<sup>2</sup> up to 1.5mm<sup>2</sup>
3. By removing the screwdriver, the wire is securely fixed via the spring contact to the terminal.

Shield attachment *'Shielding'...page 31*

2.7 Wiring 16x periphery modules

Terminal block connectors



**CAUTION**

**Do not connect hazardous voltages!**

If this is not explicitly stated in the corresponding module description, hazardous voltages are not allowed to be connected to the corresponding terminal block!



**CAUTION**

**Danger of injury from electrical shock and damage to the unit!**

Put the System SLIO in a safe, powered down state before starting installation, disassembly or wiring of the System SLIO modules!

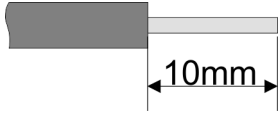


**CAUTION**

**Consider temperature for external cables!**

Cables may experience temperature increase due to system heat dissipation. Thus the cabling specification must be chosen 25°C above ambient temperature!

- The 16x periphery module has a removable terminal block for wiring.
- With the wiring of the terminal block a "push-in" spring-clip technique is used. This allows a quick and easy connection of your signal and supply lines.
- The clamping off takes place by means of a screwdriver.

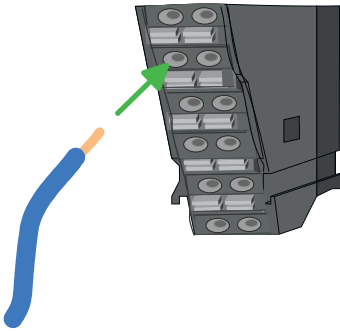
**Data**

Please use copper wire only!

$U_{max}$	30V DC
$I_{max}$	10A
Cross section solid wire	0.25 ... 0.75mm <sup>2</sup>
Cross section with ferrule	0.14 ... 0.75mm <sup>2</sup>
AWG	24 ... 16
Stripping length	10mm

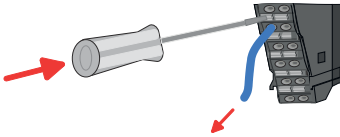
**Wiring procedure**

- 1 Release area
- 2 Connection hole for wire

**Insert wire**

The wiring happens without a tool.

1. Determine according to the casing labelling the connection position.
2. Insert through the round connection hole of the according contact your prepared wire until it stops, so that it is fixed.
  - ➔ By pushing the contact spring opens, thus ensuring the necessary contact pressure.

**Remove wire**

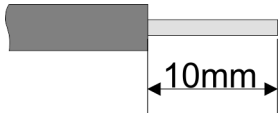
The wire is to be removed by means of a screwdriver with 2.5mm blade width.

1. Press with your screwdriver vertically at the release button.
  - ➔ The contact spring releases the wire.
2. Pull the wire from the round hole.

## 2.8 Wiring power modules

**Terminal module terminals**

Power modules are either integrated to the head module or may be installed between the periphery modules. With power modules, terminals with spring clamp technology are used for wiring. The spring clamp technology allows quick and easy connection of your signal and supply lines. In contrast to screw terminal connections this type of connection is vibration proof.

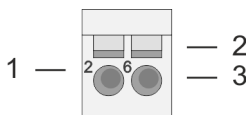
**Data**

Please use copper wire only!

$U_{max}$	30V DC
$I_{max}$	10A
Cross section	0.08 ... 1.5mm <sup>2</sup> (AWG 28 ... 16)
Stripping length	10mm

Wiring power modules

Wiring procedure



- 1 Pin number at the connector
- 2 Opening for screwdriver
- 3 Connection hole for wire



**CAUTION**

**Danger of injury from electrical shock and damage to the unit!**

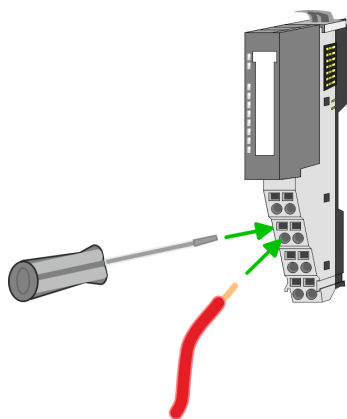
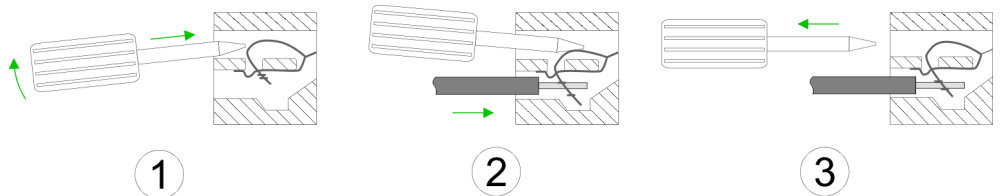
Put the System SLIO in a safe, powered down state before starting installation, disassembly or wiring of the System SLIO modules!



**CAUTION**

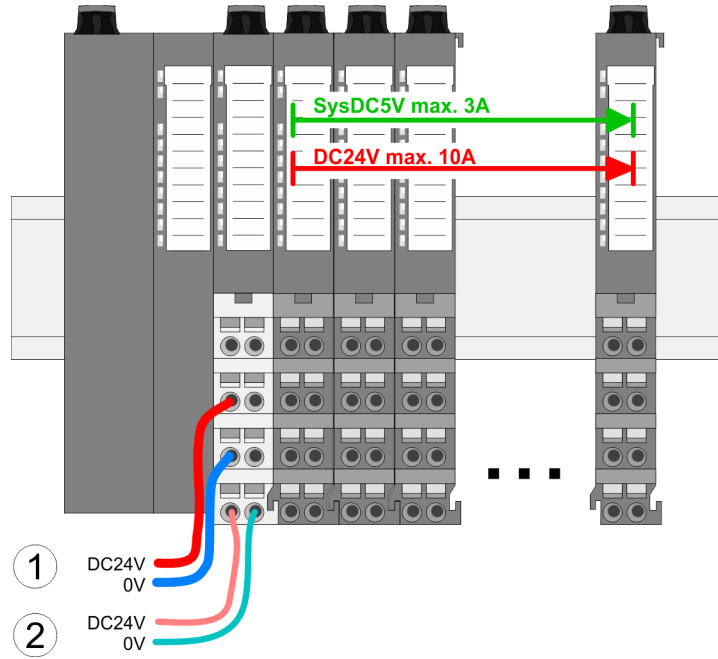
**Consider temperature for external cables!**

Cables may experience temperature increase due to system heat dissipation. Thus the cabling specification must be chosen 25°C above ambient temperature!



1. Insert a suited screwdriver at an angle into the square opening as shown. Press and hold the screwdriver in the opposite direction to open the contact spring.
2. Insert the stripped end of wire into the round opening. You can use wires with a cross section of 0.08mm<sup>2</sup> up to 1.5mm<sup>2</sup>
3. By removing the screwdriver, the wire is securely fixed via the spring contact to the terminal.

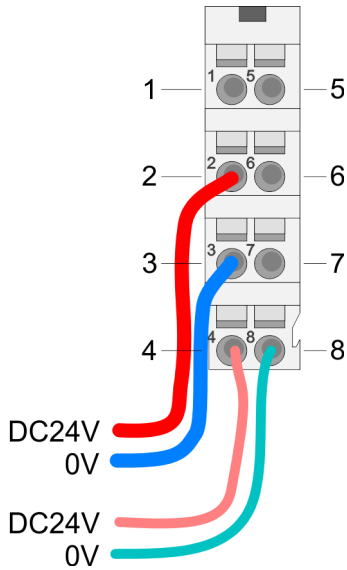
Standard wiring



- (1) DC 24V for power section supply I/O area (max. 10A)
- (2) DC 24V for electronic power supply bus coupler and I/O area

PM - Power module

For wires with a core cross-section of 0.08mm<sup>2</sup> up to 1.5mm<sup>2</sup>.



Pos.	Function	Type	Description
1	---	---	not connected
2	DC 24V	I	DC 24V for power section supply
3	0V	I	GND for power section supply
4	Sys DC 24V	I	DC 24V for electronic power supply
5	---	---	not connected
6	DC 24V	I	DC 24V for power section supply
7	0V	I	GND for power section supply
8	Sys 0V	I	GND for electronic power supply

I: Input



**CAUTION**

Since the power section supply is not internally protected, it is to be externally protected with a fuse, which corresponds to the maximum current. This means max. 10A is to be protected by a 10A fuse (fast) respectively by a line circuit breaker 10A characteristics Z and should be UL approved!



The electronic power section supply is internally protected against higher voltage by fuse. The fuse is within the power module. If the fuse releases, its electronic module must be exchanged!

**Fusing**

- The power section supply is to be externally protected with a fuse, which corresponds to the maximum current. This means max. 10A is to be protected with a 10A fuse (fast) respectively by a line circuit breaker 10A characteristics Z and should be UL approved.
  - For modules with positive logic (PNP), place the fuse on the positive connector.
  - For modules with negative logic (NPN), place the fuse on the negative connector.
  - For mixed logic, one fuse must be placed on the negative and one on the positive connector.
- It is recommended to externally protect the electronic power supply for head modules and I/O area with a 2A fuse (fast) respectively by a line circuit breaker 2A characteristics Z and should be UL approved.
- The electronic power supply for the I/O area of the power module 007-1AB10 should also be externally protected with a 1A fuse (fast) respectively by a line circuit breaker 1A characteristics Z and should be UL approved.

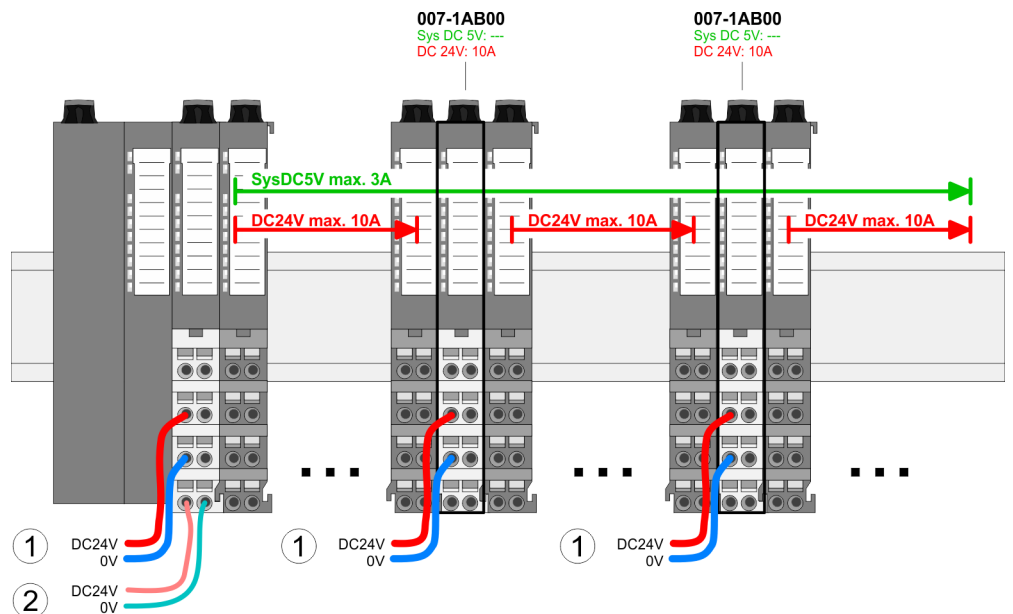
**State of the electronic power supply via LEDs**

After PowerON of the System SLIO the LEDs RUN respectively MF get on so far as the sum current does not exceed 3A. With a sum current greater than 3A the LEDs may not be activated. Here the power module with the order number 007-1AB10 is to be placed between the peripheral modules.

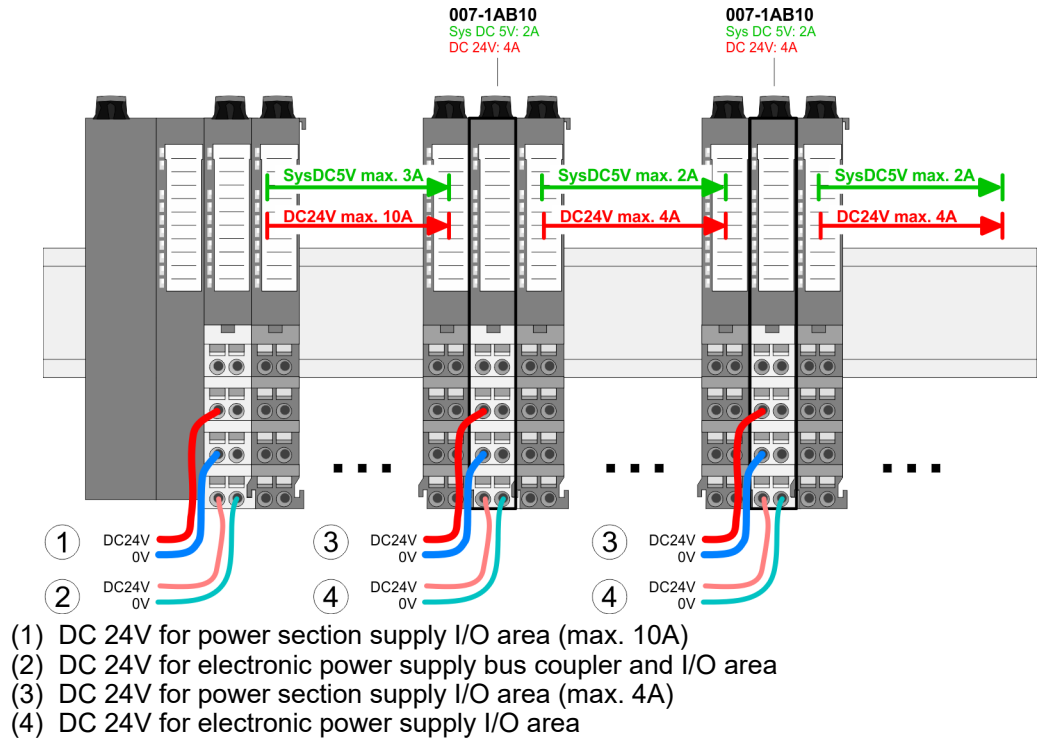
**Deployment of the power modules**

- If the 10A for the power section supply is no longer sufficient, you may use the power module with the order number 007-1AB00. So you have also the possibility to define isolated groups.
- The power module with the order number 007-1AB10 is to be used if the 3A for the electronic power supply at the backplane bus is no longer sufficient. Additionally you get an isolated group for the DC 24V power section supply with max. 4A.
- By placing the power module 007-1AB10 at the following backplane bus modules may be placed with a sum current of max. 2A. Afterwards a power module is to be placed again. To secure the power supply, the power modules may be mixed used.

**Power module 007-1AB00**



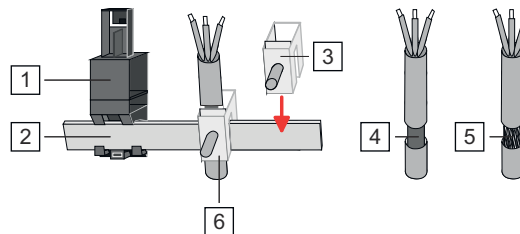
## Power module 007-1AB10



## 2.9 Shielding

## Overview

Shielding is required for interference-free signal transmission. This weakens electrical, magnetic or electromagnetic interference fields. To attach the shield the mounting of shield bus carriers are necessary. The shield bus carrier (available as accessory) serves to carry the shield bus to connect cable shields. *'Installation guidelines'...page 42*

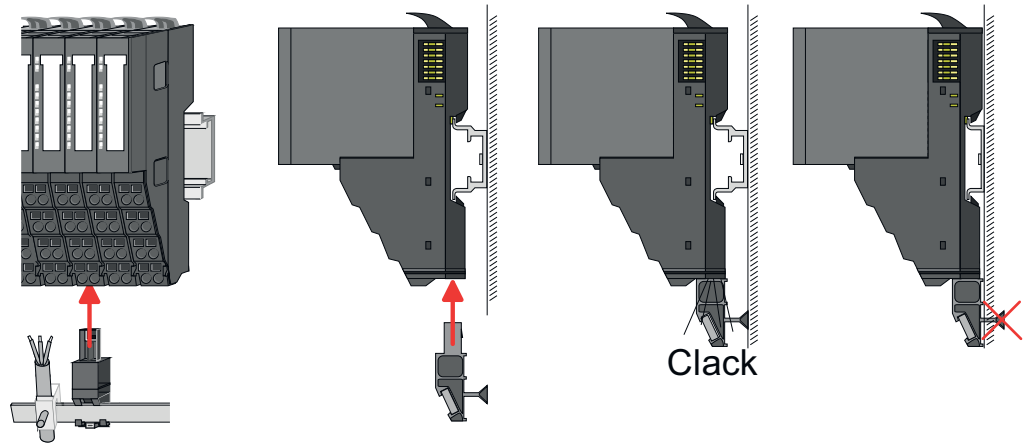


- ① Shield bus carrier
- ② Shield bus (10mm x 3mm)
- ③ Shield clamp
- ④ Cable shield with metal foil
- ⑤ Cable shield with wire mesh (close-meshed)
- ⑥ Cable shield mounted with shield clamp

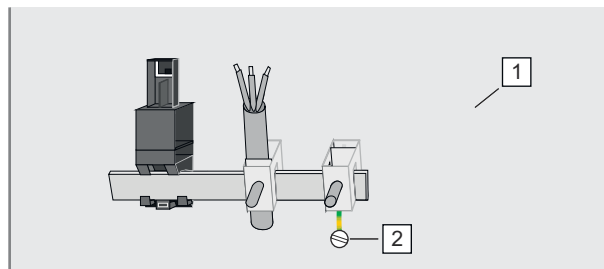
Shielding

**Shield attachment**

1. → System SLIO head and 8x periphery modules have a carrier hole for the shield bus carrier. Push the shield bus carrier, until they engage into the module. With a flat mounting rail for adaptation to a flat mounting rail you may remove the spacer of the shield bus carrier.
2. → Put your shield bus into the shield bus carrier.



3. → Attach the cables with the accordingly stripped cable screen and fix it by the shield clamp with the shield bus.
4. → The shield bus must always be earthed. Keep all cable connections as short as possible. To earth the shield bus, connect a PE conductor to the shield bus via a shield clamp and screw it to the base plate as close as possible and with low impedance.



- 1 Base plate
- 2 PE conductor screwed to base plate



## 2.10 Demounting 8x periphery modules

### Proceeding

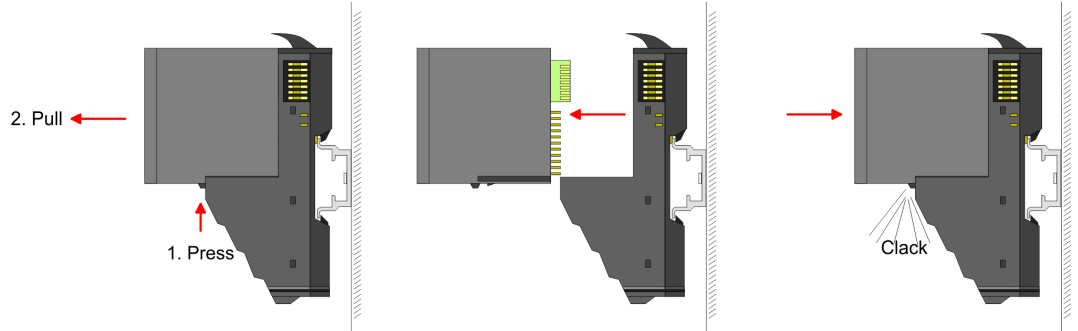
#### Exchange of an electronic module



#### CAUTION

Put the System SLIO in a safe, powered down state before starting disassembly!

1. Power-off your system.



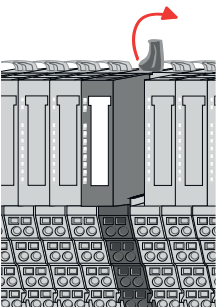
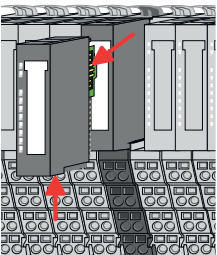
2. For the exchange of a electronic module, the electronic module may be pulled forward after pressing the unlocking lever at the lower side of the module.
3. For installation plug the new electronic module guided by the strips at the lower side until this engages to the terminal module.
  - ➔ Now you can bring your system back into operation.



#### Easy Maintenance

'Easy Maintenance' means the support for adding and removing electronic modules during operation without having to restart the system. If this is supported by your head module, you will find more detailed information on this in the "Deployment" chapter. ['Easy Maintenance'...page 38](#)

#### Exchange of a periphery module



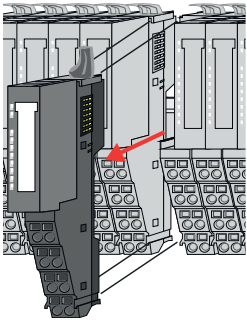
1. Power-off your system.
2. Remove if exists the wiring of the module.
- 3.



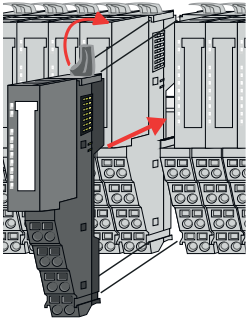
For demounting and exchange of a (head) module or a group of modules, due to mounting reasons you always have to remove the electronic module right beside. After mounting it may be plugged again.

- Press the unlocking lever at the lower side of the just mounted right module and pull it forward.
4. Turn the locking lever of the module to be exchanged upwards.

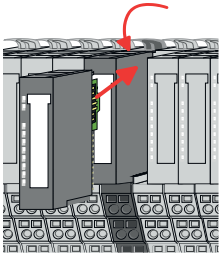
Demounting 8x periphery modules



5. ➤ Pull the module.
6. ➤ For mounting turn the locking lever of the module to be mounted upwards.

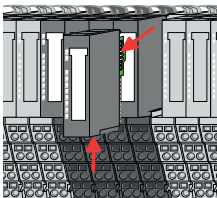


7. ➤ To mount the module put it to the gap between the both modules and push it, guided by the stripes at both sides, to the mounting rail.
8. ➤ Turn the locking lever downward, again.



9. ➤ Plug again the electronic module, which you have removed before.
10. ➤ Wire your module.
  - Now you can bring your system back into operation.

Exchange of a module group

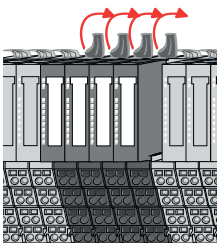


1. ➤ Power-off your system.
2. ➤ Remove if exists the wiring of the module group.
3. ➤

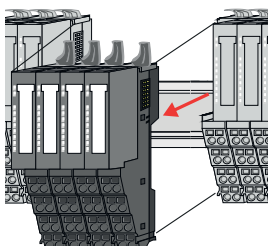


*For demounting and exchange of a (head) module or a group of modules, due to mounting reasons you always have to remove the electronic module right beside. After mounting it may be plugged again.*

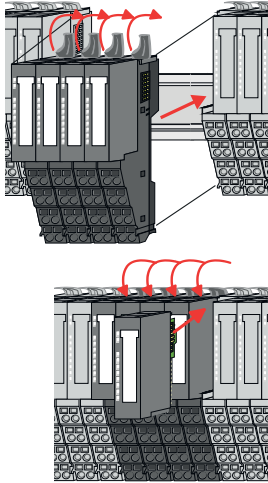
Press the unlocking lever at the lower side of the just mounted right module near the module group and pull it forward.



4. ➤ Turn all the locking lever of the module group to be exchanged upwards.



5. ➤ Pull the module group forward.
6. ➤ For mounting turn all the locking lever of the module group to be mounted upwards.



7. To mount the module group put it to the gap between the both modules and push it, guided by the stripes at both sides, to the mounting rail.
8. Turn all the locking lever downward, again.
9. Plug again the electronic module, which you have removed before.
10. Wire your module group.
  - ➔ Now you can bring your system back into operation.

## 2.11 Demounting 16x periphery modules

### Proceeding

#### Exchange of an electronic unit



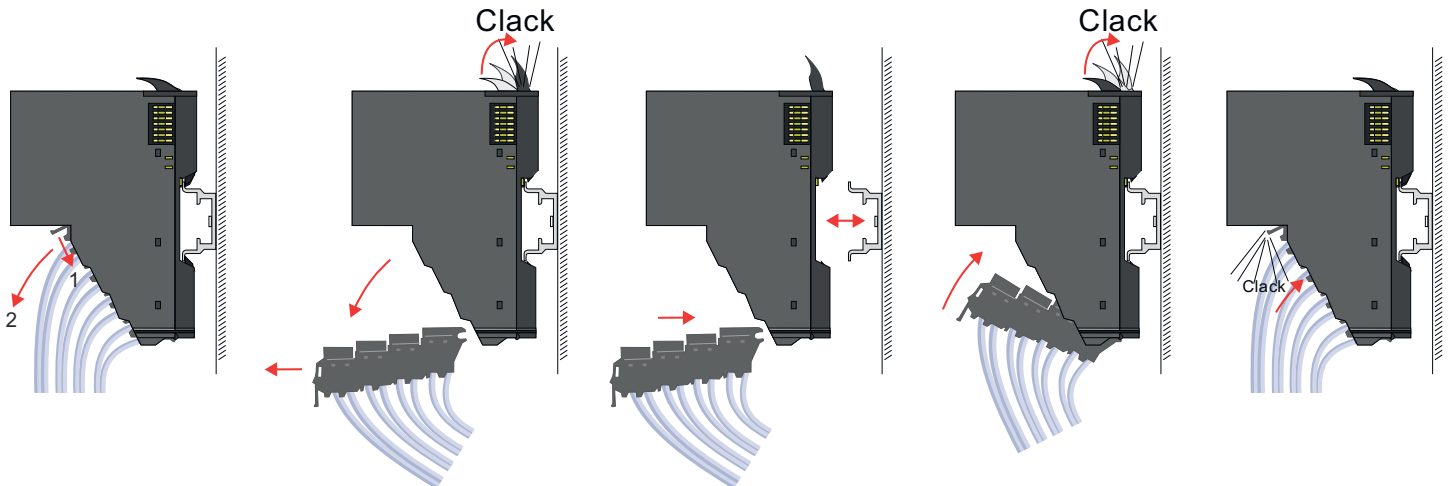
#### CAUTION

Put the System SLIO in a safe, powered down state before starting disassembly!

1. Power-off your system.
2. To replace an electronic unit, you can push down and pull off the terminal block after releasing the lock.

To mount the terminal block, place it horizontally on the lower side of the electronic unit and push it towards the electronic unit until it clicks into place.

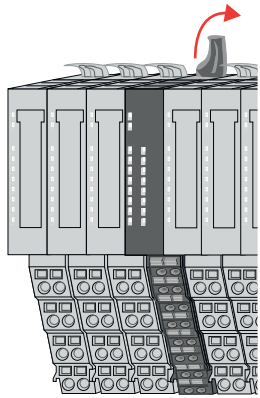
➔ Now you can bring your system back into operation.



#### Exchange of a 16x periphery module

1. Power-off your system.
2. Remove if exists the wiring of the module respectively the wired terminal block.

Demounting 16x periphery modules

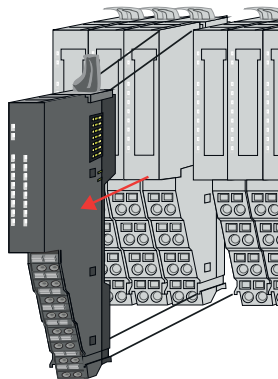


3. →



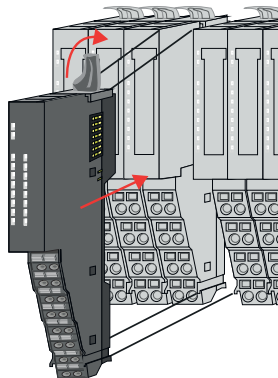
*In contrast to 8x periphery modules, you can directly demount and mount 16x periphery modules.*

Turn the locking lever of the module to be exchanged upwards.

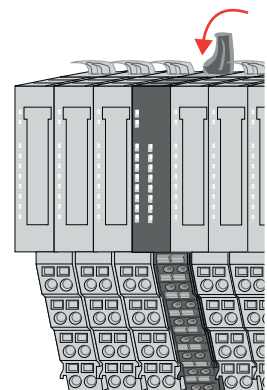


4. → Pull the module.

5. → For mounting turn the locking lever of the module to be mounted upwards.



6. → To mount the module put it to the gap between the both modules and push it, guided by the stripes at both sides, to the mounting rail.



7. → Turn the locking lever downward, again.

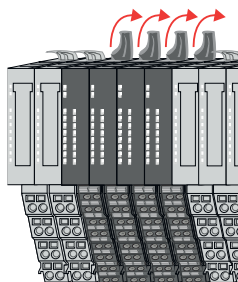
8. → Wire your module respectively plug the wired terminal block again.

➔ Now you can bring your system back into operation.

**Exchange of a module group**

1. → Power-off your system.

2. → Remove if exists the wiring of the module group respectively the wired terminal blocks.

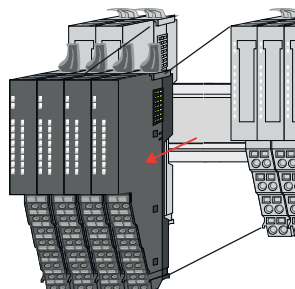


3. ➔



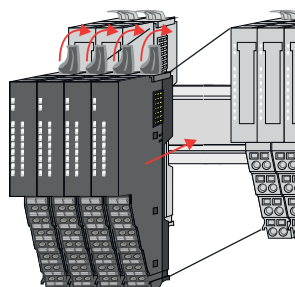
*In contrast to 8x periphery modules, you can directly demount and mount 16x periphery modules.*

Turn all the locking lever of the module group to be exchanged upwards.

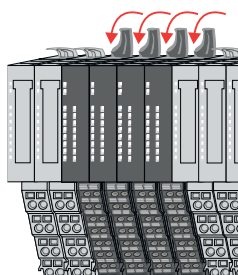


4. ➔ Pull the module group forward.

5. ➔ For mounting turn all the locking lever of the module group to be mounted upwards.



6. ➔ To mount the module group put it to the gap between the both modules and push it, guided by the stripes at both sides, to the mounting rail.



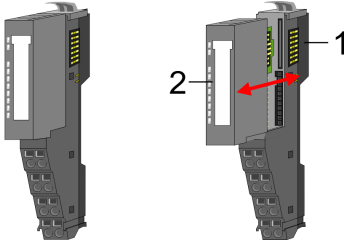
7. ➔ Turn all the locking lever downward, again.

8. ➔ Wire your module group respectively plug the wired terminal blocks again.

➔ Now you can bring your system back into operation.

## 2.12 Easy Maintenance

### Overview



- 1 Terminal module
- 2 Electronic module

*Easy Maintenance* means the support for adding and removing an electronic module during operation without having to restart the system. Here the following behavior is shown by the example of a CPU:

- Electronic module is removed
  - The CPU detects a module failure on the backplane bus.
  - Diagnostic message '*System SLIO bus failure*' (0x39D0) is triggered.
  - OB 86 is called. If this is not available, the CPU switches to STOP otherwise it remains in RUN.
  - The SF LED of the CPU lights up.
  - The I/O data of all modules become invalid.
- Identical electronic module is plugged
  - The CPU detects the module return on the backplane bus.
  - The SF-LED of the CPU gets off.
  - All RUN LEDs on the modules get on and the MF LEDs get off.
  - Diagnostic message '*System SLIO bus recovery*' (0x38D0) is triggered.
  - OB 86 is called. If this is not available, the CPU switches to STOP otherwise it remains in RUN.
  - The I/O data of all modules become valid again.
- Wrong electronic module is plugged
  - The CPU detects the wrong module.
  - Diagnostic message '*System SLIO bus recovery, but expected configuration does not match actual configuration*' (0x38D1) is triggered.
  - The SF LED of the CPU remains on.
  - The MF LED of the wrong module flashes.
  - OB 86 is called. If this is not available, the CPU switches to STOP otherwise it remains in RUN.
  - With the exception of the wrong module, the I/O data of all modules become valid again.



### CAUTION

Please note that only electronic modules may be exchanged during operation! Replacing an 8x or 16x periphery module during operation can damage the module and the system!



Please note that the CPU switches to STOP, if there is no OB 86 configured when adding or removing System SLIO modules!

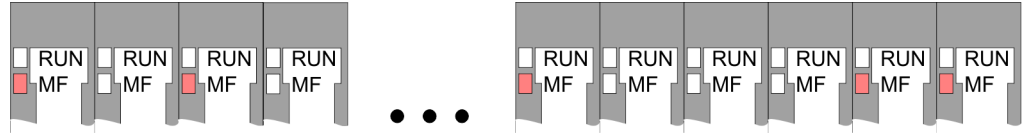
## 2.13 Trouble shooting - LEDs

### General

Each module has the LEDs RUN and MF on its front side. Errors or incorrect modules may be located by means of these LEDs.

In the following illustrations flashing LEDs are marked by ☼.

### Sum current of the electronic power supply exceeded

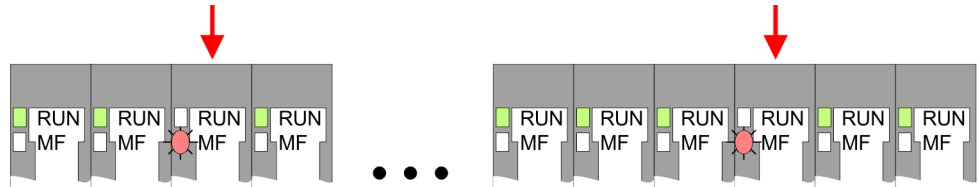


**Behavior:** After PowerON the RUN LED of each module is off and the MF LED of each module is sporadically on.

**Reason:** The maximum current for the electronic power supply is exceeded.

**Remedy:** As soon as the sum current of the electronic power supply is exceeded, always place the power module 007-1AB10. [‘Wiring power modules’...page 27](#)

### Error in configuration

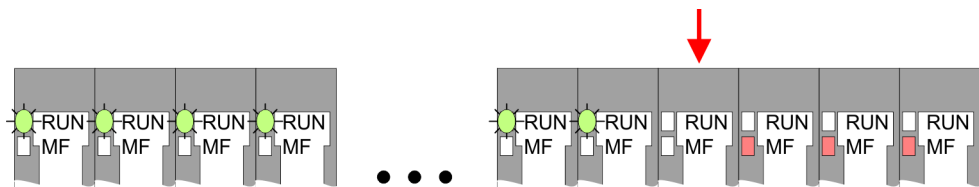


**Behavior:** After PowerON the MF LED of one module respectively more modules flashes. The RUN LED remains off.

**Reason:** At this position a module is placed, which does not correspond to the configured module.

**Remedy:** Match configuration and hardware structure.

### Module failure



**Behavior:** After PowerON all of the RUN LEDs up to the defective module are flashing. With all following modules the MF LED is on and the RUN LED is off.

**Reason:** The module on the right of the flashing modules is defective.

**Remedy:** Replace the defective module.

## 2.14 Industrial security and installation guidelines

### 2.14.1 Industrial security in information technology

#### Latest version

This chapter can also be found as a guide '*Industrial IT Security*' in the '*Download Center*' of [www.yaskawa.eu.com](http://www.yaskawa.eu.com)

#### Hazards

The topic of data security and access protection has become increasingly important in the industrial environment. The increased networking of entire industrial systems to the network levels within the company together with the functions of remote maintenance have all served to increase vulnerability. Hazards can arise from:

- Internal manipulation such as technical errors, operating and program errors and deliberate program or data manipulation.
- External manipulation such as software viruses, worms and trojans.
- Human carelessness such as password phishing.

#### Precautions

The most important precautions to prevent manipulation and loss of data security in the industrial environment are:

- Encrypting the data traffic by means of certificates.
- Filtering and inspection of the traffic by means of VPN - "Virtual Private Networks".
- Identification of the user by "Authentication" via safe channels.
- Segmenting in protected automation cells, so that only devices in the same group can exchange data.
- Deactivation of unnecessary hardware and software.

#### Further Information

You can find more information about the measures on the following websites:

- Federal Office for Information Technology → [www.bsi.bund.de](http://www.bsi.bund.de)
- Cybersecurity & Infrastructure Security Agency → [us-cert.cisa.gov](http://us-cert.cisa.gov)
- VDI / VDE Society for Measurement and Automation Technology → [www.vdi.de](http://www.vdi.de)



### 2.14.1.1 Protection of hardware and applications

#### Precautions

- Do not integrate any components or systems into public networks.
  - Use VPN "Virtual Private Networks" for use in public networks. This allows you to control and filter the data traffic accordingly.
- Always keep your system up-to-date.
  - Always use the latest firmware version for all devices.
  - Update your user software regularly.
- Protect your systems with a firewall.
  - The firewall protects your infrastructure internally and externally.
  - This allows you to segment your network and isolate entire areas.
- Secure access to your plants via user accounts.
  - If possible, use a central user management system.
  - Create a user account for each user for whom authorization is essential.
  - Always keep user accounts up-to-date and deactivate unused user accounts.
- Secure access to your plants via secure passwords.
  - Change the password of a standard login after the first start.
  - Use strong passwords consisting of upper/lower case, numbers and special characters. The use of a password generator or manager is recommended.
  - Change the passwords according to the rules and guidelines that apply to your application.
- Deactivate inactive communication ports respectively protocols.
  - Only the communication ports that are used for communication should be activated.
  - Only the communication protocols that are used for communication should be activated.
- Consider possible defence strategies when planning and securing the system.
  - The isolation of components alone is not sufficient for comprehensive protection. An overall concept is to be drawn up here, which also provides defensive measures in the event of a cyber attack.
  - Periodically carry out threat assessments. Among others, a comparison is made here between the protective measures taken and those required.
- Limit the use of external storage media.
  - Via external storage media such as USB memory sticks or SD memory cards, malware can get directly into a system while bypassing a firewall.
  - External storage media or their slots must be protected against unauthorized physical access, e.g. by using a lockable control cabinet.
  - Make sure that only authorized persons have access.
  - When disposing of storage media, make sure that they are safely destroyed.
- Use secure access paths such as HTTPS or VPN for remote access to your plant.
- Enable security-related event logging in accordance with the applicable security policy and legal requirements for data protection.

### 2.14.1.2 Protection of PC-based software

#### Precautions

Since PC-based software is used for programming, configuration and monitoring, it can also be used to manipulate entire systems or individual components. Particular caution is required here!

- Use user accounts on your PC systems.
  - If possible, use a central user management system.
  - Create a user account for each user for whom authorization is essential.
  - Always keep user accounts up-to-date and deactivate unused user accounts.
- Protect your PC systems with secure passwords.
  - Change the password of a standard login after the first start.
  - Use strong passwords consisting of upper/lower case, numbers and special characters. The use of a password generator or manager is recommended.
  - Change the passwords according to the rules and guidelines that apply to your application.
- Enable security-related event logging in accordance with the applicable security policy and legal requirements for data protection.
- Protect your PC systems by security software.
  - Install virus scanners on your PC systems to identify viruses, trojans and other malware.
  - Install software that can detect phishing attacks and actively prevent them.
- Always keep your software up-to-date.
  - Update your operating system regularly.
  - Update your software regularly.
- Make regular backups and store the media at a safe place.
- Regularly restart your PC systems. Only boot from storage media that are protected against manipulation.
- Use encryption systems on your storage media.
- Perform security assessments regularly to reduce the risk of manipulation.
- Use only data and software from approved sources.
- Uninstall software which is not used.
- Disable unused services.
- Activate a password-protected screen lock on your PC systems.
- Always lock your PC systems as soon as you leave your PC workstation.
- Do not click any links that come from unknown sources. If necessary ask, e.g. on e-mails.
- Use secure access paths such as HTTPS or VPN for remote access to your PC system.

### 2.14.2 Installation guidelines

#### General

The installation guidelines contain information about the interference free deployment of a PLC system. There is the description of the ways, interference may occur in your PLC, how you can make sure the electromagnetic compatibility (EMC), and how you manage the isolation.

#### What does EMC mean?

Electromagnetic compatibility (EMC) means the ability of an electrical device, to function error free in an electromagnetic environment without being interfered respectively without interfering the environment.

The components are developed for the deployment in industrial environments and meets high demands on the EMC. Nevertheless you should project an EMC planning before installing the components and take conceivable interference causes into account.

**Possible interference causes**

Electromagnetic interferences may interfere your control via different ways:

- Electromagnetic fields (RF coupling)
- Magnetic fields with power frequency
- Bus system
- Power supply
- Protected earth conductor

Depending on the spreading medium (lead bound or lead free) and the distance to the interference cause, interferences to your control occur by means of different coupling mechanisms.

There are:

- galvanic coupling
- capacitive coupling
- inductive coupling
- radiant coupling

**Basic rules for EMC**

In the most times it is enough to take care of some elementary rules to guarantee the EMC. Please regard the following basic rules when installing your PLC.

- Take care of a correct area-wide grounding of the inactive metal parts when installing your components.
  - Install a central connection between the ground and the protected earth conductor system.
  - Connect all inactive metal extensive and impedance-low.
  - Please try not to use aluminium parts. Aluminium is easily oxidizing and is therefore less suitable for grounding.
- When cabling, take care of the correct line routing.
  - Organize your cabling in line groups (high voltage, current supply, signal and data lines).
  - Always lay your high voltage lines and signal respectively data lines in separate channels or bundles.
  - Route the signal and data lines as near as possible beside ground areas (e.g. suspension bars, metal rails, tin cabinet).
- Proof the correct fixing of the lead isolation.
  - Data lines must be shielded.
  - Analog lines must be shielded. When transmitting signals with small amplitudes the one sided laying of the isolation may be favourable.
  - Cables for frequency inverters, servo and stepper motors must be shielded.
  - Lay the line isolation extensively on an isolation/protected earth conductor rail directly after the cabinet entry and fix the isolation with cable clamps.
  - Make sure that the isolation/protected earth conductor rail is connected impedance-low with the cabinet.
  - Use metallic or metallised plug cases for isolated data lines.
- In special use cases you should appoint special EMC actions.
  - Consider to wire all inductivities with erase links.
  - Please consider luminescent lamps can influence signal lines.

- Create a homogeneous reference potential and ground all electrical operating supplies when possible.
  - Please take care for the targeted employment of the grounding actions. The grounding of the PLC serves for protection and functionality activity.
  - Connect installation parts and cabinets with your PLC in star topology with the isolation/protected earth conductor system. So you avoid ground loops.
  - If there are potential differences between installation parts and cabinets, lay sufficiently dimensioned potential compensation lines.

## Isolation of conductors

Electrical, magnetically and electromagnetic interference fields are weakened by means of an isolation, one talks of absorption. Via the isolation rail, that is connected conductive with the rack, interference currents are shunt via cable isolation to the ground. Here you have to make sure, that the connection to the protected earth conductor is impedance-low, because otherwise the interference currents may appear as interference cause.

When isolating cables you have to regard the following:

- If possible, use only cables with isolation tangle.
- The hiding power of the isolation should be higher than 80%.
- Normally you should always lay the isolation of cables on both sides. Only by means of the both-sided connection of the isolation you achieve high quality interference suppression in the higher frequency area. Only as exception you may also lay the isolation one-sided. Then you only achieve the absorption of the lower frequencies. A one-sided isolation connection may be convenient, if:
  - the conduction of a potential compensating line is not possible.
  - analog signals (some mV respectively  $\mu\text{A}$ ) are transferred.
  - foil isolations (static isolations) are used.
- With data lines always use metallic or metallised plugs for serial couplings. Fix the isolation of the data line at the plug rack. Do not lay the isolation on the PIN 1 of the plug bar!
- At stationary operation it is convenient to strip the insulated cable interruption free and lay it on the isolation/protected earth conductor line.
- To fix the isolation tangles use cable clamps out of metal. The clamps must clasp the isolation extensively and have well contact.
- Lay the isolation on an isolation rail directly after the entry of the cable in the cabinet.



### CAUTION

#### Please regard at installation!

At potential differences between the grounding points, there may be a compensation current via the isolation connected at both sides.

Remedy: Potential compensation line

## 2.15 General data for the System SLIO

Conformity and approval		
Conformity		
CE	2014/35/EU	Low Voltage Directive
	2014/30/EU	EMC Directive
RoHS (EU)	2011/65/EU	Restriction of the use of certain hazardous substances in electrical and electronic equipment
UKCA	2016 No. 1101	Electrical Equipment (Safety) Regulations
	2016 No. 1091	Electromagnetic Compatibility Regulations
RoHS (UK)	2012 No. 3032	Use of Certain Hazardous Substances
Approval		
Certifications	-	Refer to technical data

Protection of persons and device protection		
Type of protection	-	IP20
Electrical isolation		
to the field bus	-	electrically isolated
to the process level	-	electrically isolated
Insulation resistance	-	-
Insulation voltage to reference earth		
Inputs / outputs	-	AC / DC 50V, test voltage AC 500V
Protective measures	-	against short circuit

Environmental conditions to EN 61131-2		
Operation		
Horizontal installation hanging	EN 61131-2	0...+60°C
Horizontal installation lying	EN 61131-2	0...+55°C
Vertical installation	EN 61131-2	0...+50°C
Air humidity	EN 60068-2-30	RH1 (without condensation, rel. humidity 10...95%)
Pollution	EN 61131-2	Degree of pollution 2
Installation altitude max.	-	2000m
Mechanical		
Oscillation	EN 60068-2-6	1g, 9Hz ... 150Hz
Shock	EN 60068-2-27	15g, 11ms

Mounting conditions		
Mounting place	-	In the control cabinet
Mounting position	-	Horizontal and vertical

General data for the System SLIO > Use in difficult operating conditions

EMC	Standard	Comment	
Emitted interference	EN 61000-6-4	Class A (Industrial area)	
Noise immunity zone B	EN 61000-6-2	Industrial area	
		EN 61000-4-2	ESD 8kV at air discharge (degree of severity 3), 4kV at contact discharge (degree of severity 2)
		EN 61000-4-3	HF field immunity (casing) 80MHz ... 1000MHz, 10V/m, 80% AM (1kHz) 1.4GHz ... 6GHz, 3V/m, 80% AM (1kHz)
		EN 61000-4-6	HF conducted 150kHz ... 80MHz, 10V, 80% AM (1kHz)
		EN 61000-4-4	Burst
		EN 61000-4-5	Surge <sup>1</sup>

1) Due to the high-energetic single pulses with Surge an appropriate external protective circuit with lightning protection elements like conductors for lightning and overvoltage is necessary.

### 2.15.1 Use in difficult operating conditions



**Without additional protective measures, the products must not be used in locations with difficult operating conditions; e.g. due to:**

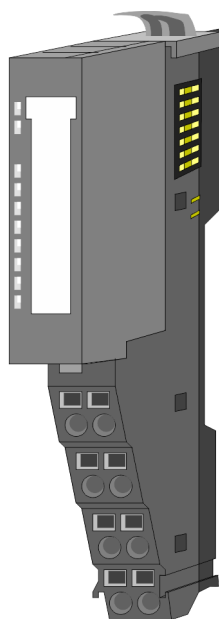
- dust generation
- chemically active substances (corrosive vapors or gases)
- strong electric or magnetic fields

## 3 Hardware description

### 3.1 Properties

#### Features

- 2 counter 32bit (AB) invertible, DC 24V
- Counting frequency max. 400kHz  
(AB 1/2/4-fold evaluation or pulse and direction)
- Input filter (configurable)
- Diagnostics function

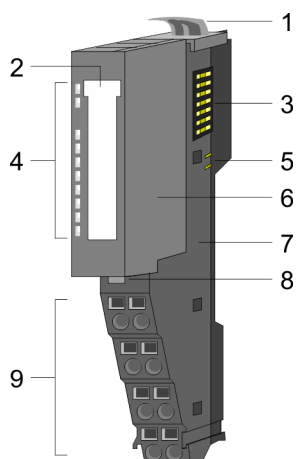


#### Bestelldaten

Type	Order number	Description
FM 050	VIPA 050-1BB30	Counter module eco 2x32Bit DC 24V

### 3.2 Structure

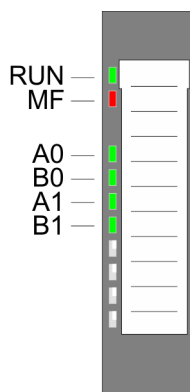
#### 050-1BB30



- 1 Locking lever terminal module
- 2 Labeling strip
- 3 Backplane bus
- 4 LED status indication
- 5 DC 24V power section supply
- 6 Electronic module
- 7 Terminal module
- 8 Locking lever electronic module
- 9 Terminal

Structure

Status indication

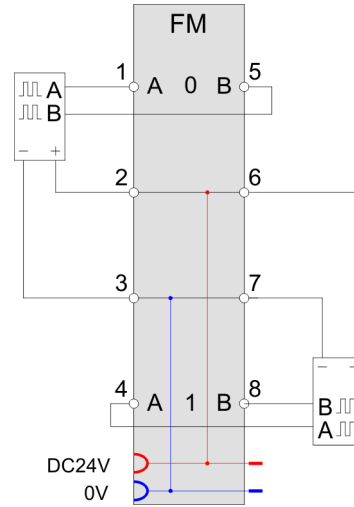
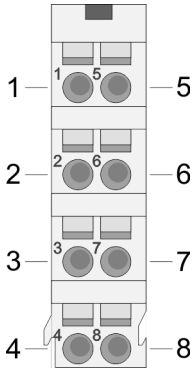


LED		Description	
RUN	MF		
green	red		
■	■		
●	○	Bus communication is OK Module status is OK	
●	●	Bus communication is OK Module status reports an error	
○	●	Bus communication is not possible Module status reports an error	
○	○	Error at bus power supply	
X	B	Error in configuration <a href="#">‘Trouble shooting - LEDs’...page 39</a>	
A0	green	●	Counter 0: Digital input 1 A0/pulse is set
	■		
B0	green	●	Counter 0: Digital input 5 B0/direction is set
	■		
A1	green	●	Counter 1: Digital input 4 A1/pulse is set
	■		
B1	green	●	Counter 1: Digital input 8 B1/direction is set
	■		
on: ●   off: ○   blinks with 2Hz: B   not relevant: X			



Pin assignment

For wires with a cross section of 0.08mm<sup>2</sup> up to 1.5mm<sup>2</sup>.



Pos.	Function	Type	Description
1	A0	I	Counter 0: A / pulse Pulse input for counter signal respectively track A of an encoder for 1-, 2- or 4-fold evaluation.
2	DC 24V	O	DC 24V for encoder
3	0V	O	GND
4	A1	I	Counter 1: A / pulse Pulse input for counter signal respectively track A of an encoder for 1-, 2- or 4-fold evaluation.
5	B0	I	Counter 0: B / direction direction signal respectively track B of an encoder (invertible via parameterization).
6	DC 24V	O	DC 24V for encoder
7	0V	O	GND
8	B1	I	Counter 1: B / direction direction signal respectively track B of an encoder (invertible via parameterization).

I: Input, O: Output

## Technical data

## 3.3 Technical data

<b>Order no.</b>	<b>050-1BB30</b>
Type	FM 050 - Counter module Eco
Module ID	08C4 388B
<b>Current consumption/power loss</b>	
Current consumption from backplane bus	75 mA
Power loss	0.9 W
<b>Technical data digital inputs</b>	
Number of inputs	4
Cable length, shielded	100 m
Cable length, unshielded	-
Rated load voltage	DC 20.4...28.8 V
Reverse polarity protection of rated load voltage	-
Current consumption from load voltage L+ (without load)	15 mA
Rated value	DC 20.4...28.8 V
Input voltage for signal "0"	DC 0...5 V
Input voltage for signal "1"	DC 15...28.8 V
Input voltage hysteresis	-
Signal logic input	-
Frequency range	-
Input resistance	-
Input current for signal "1"	3 mA
Connection of Two-Wire-BEROs possible	✓
Max. permissible BERO quiescent current	0.5 mA
Input delay of "0" to "1"	0.8 µs
Input delay of "1" to "0"	0.8 µs
Number of simultaneously utilizable inputs horizontal configuration	4
Number of simultaneously utilizable inputs vertical configuration	4
Input characteristic curve	IEC 61131-2, type 1
Initial data size	12 Byte
<b>Technical data digital outputs</b>	
Number of outputs	-
Cable length, shielded	-
Cable length, unshielded	-
Rated load voltage	-
Current consumption from load voltage L+ (without load)	-
Output delay of "0" to "1"	-

Order no.	050-1BB30
Output delay of "1" to "0"	-
Minimum load current	-
Lamp load	-
Parallel switching of outputs for redundant control of a load	-
Parallel switching of outputs for increased power	-
Actuation of digital input	-
Switching frequency with resistive load	-
Switching frequency with inductive load	-
Switching frequency on lamp load	-
Internal limitation of inductive shut-off voltage	-
Short-circuit protection of output	-
Trigger level	-
Number of operating cycle of relay outputs	-
Switching capacity of contacts	-
Output data size	4 Byte
<b>Technical data counters</b>	
Number of counters	2
Counter width	32 Bit
Maximum input frequency	100 kHz
Maximum count frequency	400 kHz
Mode incremental encoder	✓
Mode pulse / direction	✓
Mode pulse	-
Mode frequency counter	-
Mode period measurement	-
Gate input available	-
Latch input available	-
Reset input available	-
Counter output available	-
<b>Status information, alarms, diagnostics</b>	
Status display	yes
Interrupts	no
Process alarm	no
Diagnostic interrupt	no
Diagnostic functions	no
Diagnostics information read-out	possible
Module state	green LED
Module error display	red LED

## Technical data

Order no.	050-1BB30
Channel error display	none
<b>Isolation</b>	
Between channels	-
Between channels of groups to	-
Between channels and backplane bus	✓
Between channels and power supply	-
Max. potential difference between circuits	-
Max. potential difference between inputs (Ucm)	-
Max. potential difference between Mana and Mintern (Uiso)	-
Max. potential difference between inputs and Mana (Ucm)	-
Max. potential difference between inputs and Mintern (Uiso)	-
Max. potential difference between Mintern and outputs	-
Insulation tested with	DC 500 V
<b>Datasizes</b>	
Input bytes	12
Output bytes	4
Parameter bytes	12
Diagnostic bytes	20
<b>Housing</b>	
Material	PPE / PPE GF10
Mounting	Profile rail 35 mm
<b>Mechanical data</b>	
Dimensions (WxHxD)	12.9 mm x 109 mm x 76.5 mm
Net weight	57 g
Weight including accessories	57 g
Gross weight	72 g
<b>Environmental conditions</b>	
Operating temperature	0 °C to 60 °C
Storage temperature	-25 °C to 70 °C
<b>Certifications</b>	
UL certification	yes
KC certification	yes
UKCA certification	yes
ChinaRoHS certification	yes

## 4 Deployment

### 4.1 Fast introduction

#### Counter range

Limits	Valid range of values
Lower counter limit	-2 147 483 648 ( $-2^{31}$ )
Upper counter limit	+2 147 483 647 ( $2^{31}-1$ )

The maximum counter frequency is 400kHz.

#### Address areas

##### Input area

At CPU, PROFIBUS and PROFINET the input area is embedded to the corresponding address area. More can be found in the corresponding manual.

IX - Index for access via CANopen

SX - Subindex for access via EtherCAT with index 6000h + EtherCAT-Slot

Addr.	Name	Bytes	Function	IX	SX
+0	CV_I	4	Counter 0: Counter value	5400h/s	01h
+4	CV_II	4	Counter 1: Counter value	5400h/s+1	02h
+8	CSTS_I	2	Counter 0: Counter status	5402h/s	03h
+10	CSTS_II	2	Counter 1: Counter status	5402h/s+1	04h

##### Output area

At CPU, PROFIBUS and PROFINET the output area is embedded to the corresponding address area. More can be found in the corresponding manual.

IX - Index for access via CANopen

SX - Subindex for access via EtherCAT with Index 7000h + EtherCAT-Slot

Addr.	Name	Bytes	Function	IX	SX
+0	CCTRL_I	2	Counter 0: Control word	5602h/s	01h
+2	CCTRL_II	2	Counter 1: Control word	5602h/s+1	02h

Fast introduction

**CSTS\_I CSTS\_II**  
Counter status

Bit	Name	Function
0 ... 1	-	reserved
2	STS_SW-GATE	Status software gate (set when <i>SW gate</i> is active)
3 ... 4	-	reserved
5	STS_GATE	Status internal gate (set when internal gate is active)
6	-	reserved
7	STS_C_DN	Status set at counter direction backward
8	STS_C_UP	Status set at counter direction forward
9 ... 10	-	reserved
11	STS_OFLW <sup>1</sup>	Status is set at overflow
12	STS_UFLW <sup>1</sup>	Status is set at underflow
13	STS_ZP <sup>1</sup>	Status is set at zero run
14 ... 15	-	reserved

1) The bits remain set until reset with RES\_SET (bit 6 *control word*).

**CCTRL\_I CCTRL\_II**  
Control word

Bit	Name	Function
0 ... 1	-	reserved
2	SW_GATE_SET	sets the software gate
3 ... 5	-	reserved
6	RES_SET	resets the bits STS_OFLW, STS_UFLW and STS_ZP with <b>edge 0-1</b>
7 ... 9	-	reserved
10	SW_GATE_RESET	resets the software gate
11 ... 15	-	reserved

**Parameters**

DS - Record set for access via CPU, PROFIBUS and PROFINET

IX - Index for access via CANopen

SX - Subindex for access via EtherCAT with Index 3100h + EtherCAT-Slot

More can be found in the according manual of your bus coupler.

Name	Bytes	Function	Default	DS	IX	SX
CH0A	1	C0: Input frequency track A	02h	01h	3100h	01h
CH1B	1	C0: Input frequency track B	02h	01h	3101h	02h
CH2A	1	C1: Input frequency track A	02h	01h	3102h	03h
CH3B	1	C1: Input frequency track B	02h	01h	3103h	04h
MODE2_I	1	C0: Counter mode 2 <sup>1</sup>	00h	80h	3104h	05h
MODE3_I	1	C0: Counter mode 3 <sup>1</sup>	00h	80h	3105h	06h
MODE2_II	1	C1: Counter mode 2 <sup>1</sup>	00h	82h	3106h	07h
MODE3_II	1	C1: Counter mode 3 <sup>1</sup>	00h	82h	3107h	08h

1) This parameter may only be transferred at STOP state.

**Control counter**

The counter is controlled via the internal gate (I gate). The I gate corresponds to the software gate (SW gate).

**SW gate:**

Open (activate):

in user program by edge 0-1 SW\_GATE\_SET in the *control word*.

Close (deactivate):

in user program by edge 0-1 SW\_GATE\_RESET in the *control word*.

**4.2 In-/Output area**

**4.2.1 Input area 12byte**

**Input area**

At CPU, PROFIBUS and PROFINET the input area is embedded to the corresponding address area. More can be found in the corresponding manual.

IX - Index for access via CANopen

SX - Subindex for access via EtherCAT with index 6000h + EtherCAT-Slot

Addr.	Name	Bytes	Function	IX	SX
+0	CV_I	4	Counter 0: Counter value	5400h/s	01h
+4	CV_II	4	Counter 1: Counter value	5400h/s+1	02h
+8	CSTS_I	2	Counter 0: Counter status	5402h/s	03h
+10	CSTS_II	2	Counter 1: Counter status	5402h/s+1	04h

**CV\_I CV\_II Counter value**

The *counter value* always contains the current value of the corresponding counter.

In-/Output area &gt; Output area 4byte

**CSTS\_I CSTS\_II**  
Counter status

Bit	Name	Function
0 ... 1	-	reserved
2	STS_SW-GATE	Status software gate (set when <i>SW gate</i> is active)
3 ... 4	-	reserved
5	STS_GATE	Status internal gate (set when internal gate is active)
6	-	reserved
7	STS_C_DN	Status set at counter direction backward
8	STS_C_UP	Status set at counter direction forward
9 ... 10	-	reserved
11	STS_OFLW <sup>1</sup>	Status is set at overflow
12	STS_UFLW <sup>1</sup>	Status is set at underflow
13	STS_ZP <sup>1</sup>	Status is set at zero run
14 ... 15	-	reserved

1) The bits remain set until reset with RES\_SET (bit 6 *control word*).

**4.2.2 Output area 4byte****Output area**

At CPU, PROFIBUS and PROFINET the output area is embedded to the corresponding address area. More can be found in the corresponding manual.

IX - Index for access via CANopen

SX - Subindex for access via EtherCAT with Index 7000h + EtherCAT-Slot

Addr.	Name	Bytes	Function	IX	SX
+0	CCTRL_I	2	Counter 0: Control word	5602h/s	01h
+2	CCTRL_II	2	Counter 1: Control word	5602h/s+1	02h



**CCTRL\_I CCTRL\_II**  
 Control word

Bit	Name	Function
0 ... 1	-	reserved
2	SW_GATE_SET	sets the software gate
3 ... 4	-	reserved
5	COUNTERVAL_SET	resets counter to zero
6	RES_SET	resets the bits STS_OFLW, STS_UFLW and STS_ZP <b>edge 0-1</b>
7 ... 9	-	reserved
10	SW_GATE_RESET	resets the software gate
11 ... 15	-	reserved

### 4.3 Parameter data

Via parameterization you may define among others:

- Input filter
- Counter operating mode res. behavior

DS - Record set for access via CPU, PROFIBUS and PROFINET

IX - Index for access via CANopen

SX - Subindex for access via EtherCAT with Index 3100h + EtherCAT-Slot

More can be found in the according manual of your bus coupler.

#### Parameter

Name	Bytes	Function	Default	DS	IX	SX
CH0A	1	C0: Input frequency track A	02h	01h	3100h	01h
CH1B	1	C0: Input frequency track B	02h	01h	3101h	02h
CH2A	1	C1: Input frequency track A	02h	01h	3102h	03h
CH3B	1	C1: Input frequency track B	02h	01h	3103h	04h
MODE2_I	1	C0: Counter mode 2 <sup>1</sup>	00h	80h	3104h	05h
MODE3_I	1	C0: Counter mode 3 <sup>1</sup>	00h	80h	3105h	06h
MODE2_II	1	C1: Counter mode 2 <sup>1</sup>	00h	82h	3106h	07h
MODE3_II	1	C1: Counter mode 3 <sup>1</sup>	00h	82h	3107h	08h

1) This parameter may only be transferred at STOP state.

Counter functions

CHxx Input frequency

Byte	Funktion	Mögliche Werte
0	Input frequency C0 track A	<ul style="list-style-type: none"> <li>■ 02h: 100kHz</li> <li>■ 03h: 60kHz</li> <li>■ 04h: 30kHz</li> <li>■ 06h: 10kHz</li> <li>■ 07h: 5kHz</li> <li>■ 08h: 2kHz</li> <li>■ 09h: 1kHz</li> <li>Other values are not permissible!</li> </ul>
1	Input frequency C0 track B	
2	Input frequency C1 track A	
3	Input frequency C1 track B	

- *Input frequency* allows you to preset a filter for I1, I4, I5 and I8. With the help of filters you may e.g. filter signal peaks at a blurred input signal.

MODE2\_I/II C0/C1 Counter mode 2

Byte	Bit 7 ... 0
0	<ul style="list-style-type: none"> <li>■ <i>Bit 2 ... 0: 0 (fix)</i></li> <li>■ <i>Bit 3: Count direction track B inverted</i> <ul style="list-style-type: none"> <li>- 0 = No (not inverted)</li> <li>- 1 = Yes (inverted)</li> </ul> </li> <li>■ <i>Bit 7 ... 4: 0 (fix)</i></li> </ul>

MODE3\_I/II C0/C1 Counter mode 3

Byte	Bit 7 ... 0
0	<ul style="list-style-type: none"> <li>■ <i>Bit 2 ... 0: Signal evaluation</i> <ul style="list-style-type: none"> <li>- 000b = Counter de-activated</li> <li>- 001b = Rotary encoder single (at A and B)</li> <li>- 010b = Rotary encoder double (at A and B)</li> <li>- 011b = Rotary encoder quadruple (at A and B)</li> <li>- 100b = Direction (pulse at A and direction at B)</li> </ul> </li> <li>■ <i>Bit 7 ... 3: 0 (fix)</i></li> </ul>

- At de-activated counter the further parameter settings are ignored.

## 4.4 Counter functions

### Overview

The counters of the 050-1BB30 are continuous counter, whose direction may be preset by the parameterization. The counters serve e.g. for distance measuring with incremental encoder. The activation res. de-activation of the counter happens via an internal gate (I gate). The I gate corresponds to the software gate (SW gate). The SW gate is opened (activated) via your user application by an edge 0-1 of the bit SW\_GATE\_SET of the *control word* in the *output area*. The software gate is closed (de-activated) by an edge 0-1 of the bit SW\_GATE\_RESET. With an edge 0-1 at SW gate the counter is reset to 0. The following states influence the I gate:

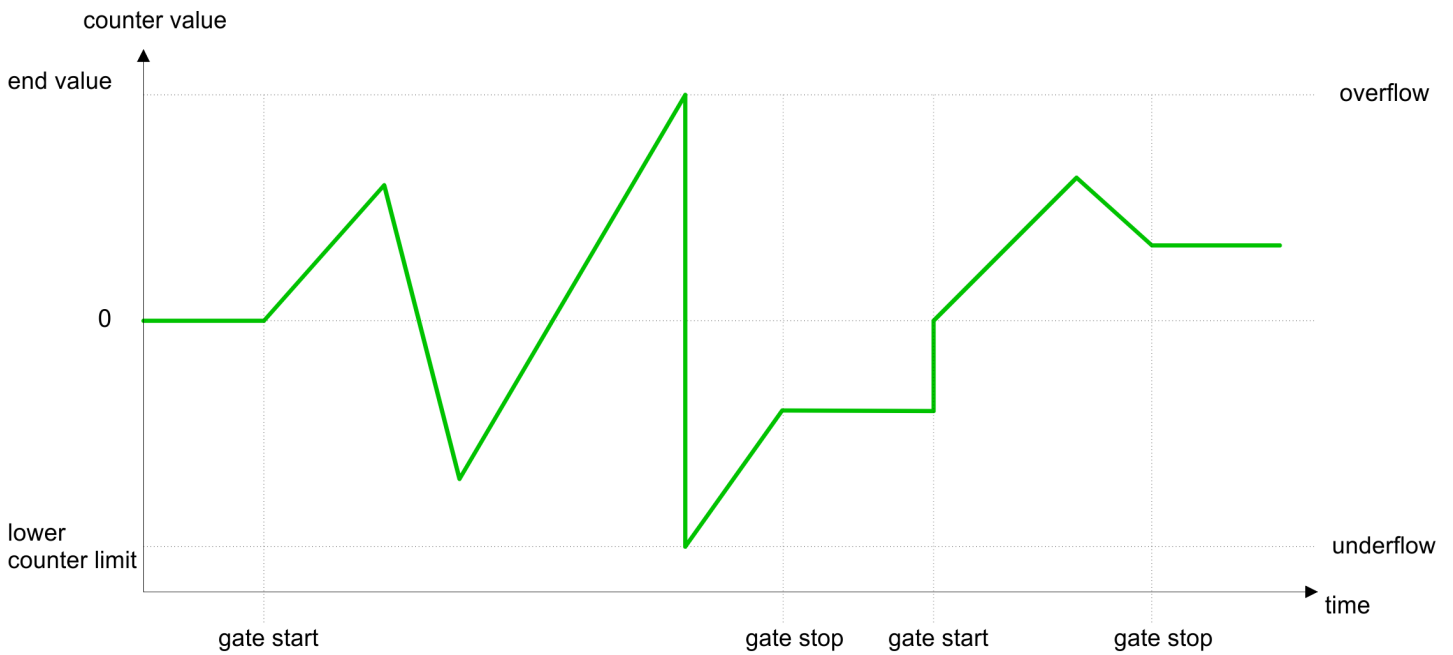
SW gate	influences I gate
0	0
1	1
with edge 0-1	1

**Count continuously**

Each counter always starts at 0. When the counter counts forward and reaches the upper count limit and another counting pulse in positive direction arrives, it jumps to the lower count limit and counts from there on. When the counter counts backwards and reaches the lower count limit and another counting pulse in negative direction arrives, it jumps to the upper count limit and counts from there on. The count limits are set to the maximum count range.

Limits	Valid value range
Lower count limit	-2 147 483 648 ( $-2^{31}$ )
Upper count limit	+2 147 483 647 ( $2^{31} - 1$ )

With *overflow* or *underflow* the status bits STS\_OFLW respectively STS\_UFLW are set. These bits remain set until these are reset with RES\_SET in the *control word*.



## 4.5 Diagnostic data

### Overview

So this module does not support process interrupts, the diagnostics data serve for information about this module.

DS - Record set for access via CPU, PROFIBUS and PROFINET. The access happens by DS 01h. Additionally the first 4 bytes may be accessed by DS 00h.

IX - Index for access via CANopen. The access happens by IX 2F01h. Additionally the first 4 bytes may be accessed by IX 2F00h.

SX - Subindex for access via EtherCAT with Index 5005h.

More can be found in the according manual of your bus coupler.

Name	Bytes	Function	Default	DS	IX	SX
ERR_A	1	reserved	00h	01h	2F01h	02h
MODTYP	1	Module information	18h			03h
ERR_C	1	reserved	00h			04h
ERR_D	1	reserviert	00h			05h
CHTYP	1	Channel type	76h			06h
NUMBIT	1	Number diagnostics bits per channel	00h			07h
NUMCH	1	Number channels of the module	02h			08h
CHERR	1	reserved	00h			09h
CH0ERR... CH7ERR	8	reserved	00h			0Ah ... 11h
DIAG_US	4	µs ticker	00h			13h

### MODTYP Module information

Byte	Bit 7 ... 0
0	<ul style="list-style-type: none"> <li>■ Bit 3 ... 0: Module class               <ul style="list-style-type: none"> <li>– 1000b: Function module</li> </ul> </li> <li>■ Bit 4: set at channel information present</li> <li>■ Bit 7 ... 5: reserved</li> </ul>

### CHTYP Channel type

Byte	Bit 7 ... 0
0	<ul style="list-style-type: none"> <li>■ Bit 6 ... 0: Channel type               <ul style="list-style-type: none"> <li>– 76h: Channel type</li> </ul> </li> <li>■ Bit 7: reserved</li> </ul>

### NUMBIT Diagnostic bits

Byte	Bit 7 ... 0
0	Number of diagnostics bits of the module per channel (here 00h)

## NUMCH Channels

Byte	Bit 7 ... 0
0	Number of channels of the module (here 02h)

DIAG\_US  $\mu$ s ticker

Byte	Bit 7 ... 0
0 ... 3	Value of the $\mu$ s ticker at the moment of the diagnostic

ERR\_A/C/D CHERR,  
CHxERR reserved

Byte	Bit 7 ... 0
0	reserved