



VST-600
Direct drive



VST-1500
Slewing drive

- Increasing the robot's working area
- High speed – short cycle time
- Direct or slewing drive

This is a servo powered rotating base for extending the robot's working radius e.g. when using the robot for machine tending or press brake application.

Three sizes covers the whole MOTOMAN robot range with handling capacity from 6 to 500 kgs.

Options

- Limiting rotation $\pm 90^\circ$ or $\pm 120^\circ$ (VST-600)

Technical data		VST-600 SD	VST-1500 SD	VST-2500 SD
Maximum payload	kg	600	1500	2500
Increased robot reach (A)	mm	1000 ¹⁾ , 1100 ²⁾	1000 ³⁾	1000 ⁴⁾
Torque, dynamic	Nm	2299	6675	9717
Maximum rotation		$\pm 142^\circ$	$\pm 135^\circ$	$\pm 135^\circ$
Rated speed	rpm	0-12.6	0-4.4	0-3.1
Maximum speed	rpm	16.8	10.3	7.2

¹⁾ MH50, MH50-20, MH50-35

²⁾ MH6, MH6S, VA1400, MA1400, MA1800, MA1900

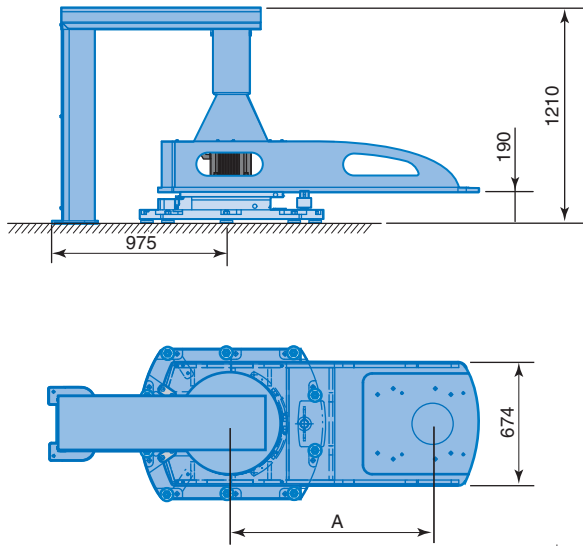
³⁾ ES165D, ES200D

⁴⁾ UP350D, UP350D-500, UP350D-600

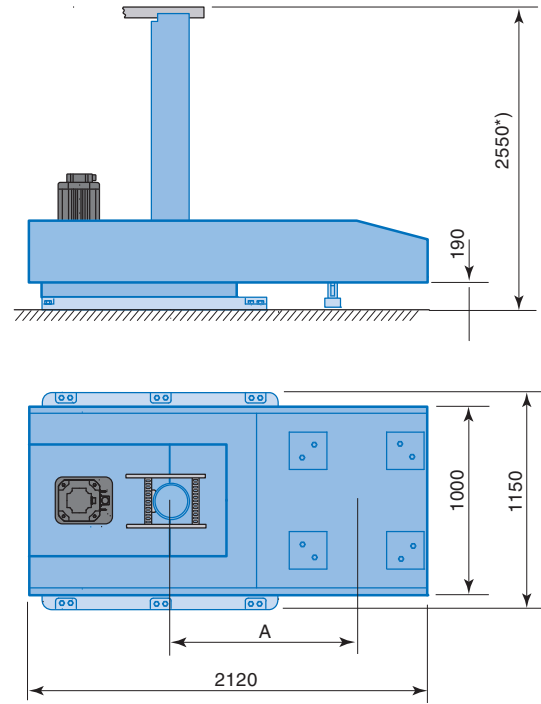
VST

Rotating robot base & Tracks
Rotating robot base

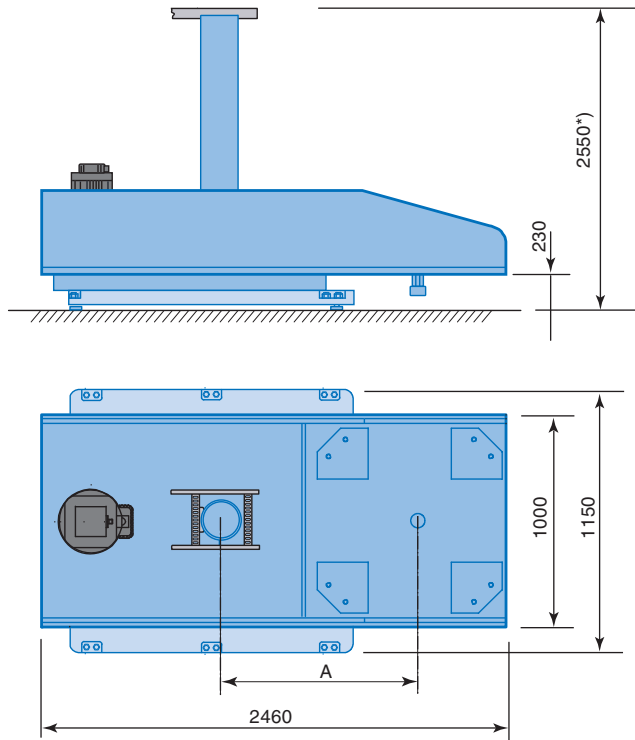
VST-600 SD



VST-1500 SD



VST-2500 SD



Technical data may be subject to change without previous notice
© YASKAWA Nordic AB · 1049EN-01.2012-03